

INTERNATIONAL STANDARD

NORME INTERNATIONALE



**Optical fibres –
Part 1-42: Measurement methods and test procedures – Chromatic dispersion**

**Fibres optiques –
Partie 1-42: Méthodes de mesure et procédures d'essai – Dispersion
chromatique**



THIS PUBLICATION IS COPYRIGHT PROTECTED

Copyright © 2013 IEC, Geneva, Switzerland

All rights reserved. Unless otherwise specified, no part of this publication may be reproduced or utilized in any form or by any means, electronic or mechanical, including photocopying and microfilm, without permission in writing from either IEC or IEC's member National Committee in the country of the requester.

If you have any questions about IEC copyright or have an enquiry about obtaining additional rights to this publication, please contact the address below or your local IEC member National Committee for further information.

Droits de reproduction réservés. Sauf indication contraire, aucune partie de cette publication ne peut être reproduite ni utilisée sous quelque forme que ce soit et par aucun procédé, électronique ou mécanique, y compris la photocopie et les microfilms, sans l'accord écrit de la CEI ou du Comité national de la CEI du pays du demandeur.

Si vous avez des questions sur le copyright de la CEI ou si vous désirez obtenir des droits supplémentaires sur cette publication, utilisez les coordonnées ci-après ou contactez le Comité national de la CEI de votre pays de résidence.

IEC Central Office
3, rue de Varembe
CH-1211 Geneva 20
Switzerland

Tel.: +41 22 919 02 11
Fax: +41 22 919 03 00
info@iec.ch
www.iec.ch

About the IEC

The International Electrotechnical Commission (IEC) is the leading global organization that prepares and publishes International Standards for all electrical, electronic and related technologies.

About IEC publications

The technical content of IEC publications is kept under constant review by the IEC. Please make sure that you have the latest edition, a corrigenda or an amendment might have been published.

Useful links:

IEC publications search - www.iec.ch/searchpub

The advanced search enables you to find IEC publications by a variety of criteria (reference number, text, technical committee,...).

It also gives information on projects, replaced and withdrawn publications.

IEC Just Published - webstore.iec.ch/justpublished

Stay up to date on all new IEC publications. Just Published details all new publications release Available on-line and also once a month by email.

Electropedia - www.electropedia.org

The world's leading online dictionary of electronic and electrical terms containing more than 30 000 terms and definitions in English and French, with equivalent terms in additional languages. Also known as the International Electrotechnical Vocabulary (IEV) on-line.

Customer Service Centre - webstore.iec.ch/csc

If you wish to give us your feedback on this publication or need further assistance, please contact the Customer Service Centre: csc@iec.ch.

A propos de la CEI

La Commission Electrotechnique Internationale (CEI) est la première organisation mondiale qui élabore et publie des Normes internationales pour tout ce qui a trait à l'électricité, à l'électronique et aux technologies apparentées.

A propos des publications CEI

Le contenu technique des publications de la CEI est constamment revu. Veuillez vous assurer que vous possédez l'édition la plus récente, un corrigendum ou amendement peut avoir été publié.

Liens utiles:

Recherche de publications CEI - www.iec.ch/searchpub

La recherche avancée vous permet de trouver des publications CEI en utilisant différents critères (numéro de référence, texte, comité d'études,...).

Elle donne aussi des informations sur les projets et les publications remplacées ou retirées.

Just Published CEI - webstore.iec.ch/justpublished

Restez informé sur les nouvelles publications de la CEI. Just Published détaille les nouvelles publications parues. Disponible en ligne et aussi une fois par mois par email.

Electropedia - www.electropedia.org

Le premier dictionnaire en ligne au monde de termes électroniques et électriques. Il contient plus de 30 000 termes et définitions en anglais et en français, ainsi que les termes équivalents dans les langues additionnelles. Egalement appelé Vocabulaire Electrotechnique International (VEI) en ligne.

Service Clients - webstore.iec.ch/csc

Si vous désirez nous donner des commentaires sur cette publication ou si vous avez des questions contactez-nous: csc@iec.ch.



IEC 60793-1-42

Edition 3.0 2013-01

INTERNATIONAL STANDARD

NORME INTERNATIONALE



**Optical fibres –
Part 1-42: Measurement methods and test procedures – Chromatic dispersion**

**Fibres optiques –
Partie 1-42: Méthodes de mesure et procédures d’essai – Dispersion
chromatique**

INTERNATIONAL
ELECTROTECHNICAL
COMMISSION

COMMISSION
ELECTROTECHNIQUE
INTERNATIONALE

PRICE CODE
CODE PRIX

U

ICS 33.180.10

ISBN 978-2-83220-576-1

**Warning! Make sure that you obtained this publication from an authorized distributor.
Attention! Veuillez vous assurer que vous avez obtenu cette publication via un distributeur agréé.**

CONTENTS

FOREWORD.....	4
1 Scope.....	6
2 Normative references	7
3 Overview of methods	7
3.1 Method A, phase shift.....	7
3.2 Method B, spectral group delay in the time domain.....	7
3.3 Method C, differential phase shift	7
4 Reference test methods.....	8
4.1 Category A1 and sub-category A4f, A4g and A4h multimode fibres	8
4.2 Class B single-mode fibres	8
5 Apparatus.....	8
5.1 General.....	8
5.2 Launch optics	8
5.3 High-order mode filter (single-mode)	8
5.4 Input positioning apparatus	8
5.5 Output positioning apparatus.....	8
5.6 Computation equipment.....	9
6 Sampling and specimens.....	9
6.1 Specimen length.....	9
6.2 Specimen end face.....	9
6.3 Reference fibre.....	9
7 Procedure.....	9
8 Calculations	9
8.1 General.....	9
8.2 Category A1 and sub-category A4f, A4g, A4h multimode fibres and category B1.1, B1.3 and sub-category B6_a1 and B6_a2 single-mode fibres	10
8.3 Category B1.2 single-mode fibres.....	10
8.4 Category B2 single-mode fibres.....	10
8.5 Category B4 and B5 single-mode fibres.....	11
9 Results	11
9.1 Report the following information with each measurement:	11
9.2 The following information shall be available upon request:	11
10 Specification information	11
Annex A (normative) Requirements specific to method A, phase-shift	12
Annex B (normative) Requirements specific to method B, spectral group delay in the time domain	17
Annex C (normative) Requirements specific to method C, differential phase-shift	21
Annex D (normative) Chromatic dispersion fitting.....	26
Bibliography.....	28
Figure A.1 – Chromatic dispersion measurement set, multiple laser system (typical)	13
Figure A.2 – Typical delay and dispersion curves.....	13
Figure A.3 – Chromatic dispersion measurement set, LED system (typical)	15
Figure B.1 – Block diagram, fibre Raman laser system	18
Figure B.2 – Block diagram, multiple laser diode system.....	18

Figure C.1 – Chromatic differential phase dispersion measurement set, multiple laser system	22
Figure C.2 – Chromatic differential phase dispersion measurement set, LED system	23
Figure C.3 – Chromatic dispersion measurement set, differential phase by dual wavelength method	23
Figure C.4 – Chromatic dispersion measurement set, differential phase by double demodulation	24
Table D.1 – Definition of fit types and fit coefficients; equations for group delay and dispersion coefficient	26
Table D.2 – Slope equations	26
Table D.3 – Zero-dispersion wavelength and slope equations	27

INTERNATIONAL ELECTROTECHNICAL COMMISSION

OPTICAL FIBRES –

Part 1-42: Measurement methods and test procedures – Chromatic dispersion

FOREWORD

- 1) The International Electrotechnical Commission (IEC) is a worldwide organization for standardization comprising all national electrotechnical committees (IEC National Committees). The object of IEC is to promote international co-operation on all questions concerning standardization in the electrical and electronic fields. To this end and in addition to other activities, IEC publishes International Standards, Technical Specifications, Technical Reports, Publicly Available Specifications (PAS) and Guides (hereafter referred to as “IEC Publication(s)”). Their preparation is entrusted to technical committees; any IEC National Committee interested in the subject dealt with may participate in this preparatory work. International, governmental and non-governmental organizations liaising with the IEC also participate in this preparation. IEC collaborates closely with the International Organization for Standardization (ISO) in accordance with conditions determined by agreement between the two organizations.
- 2) The formal decisions or agreements of IEC on technical matters express, as nearly as possible, an international consensus of opinion on the relevant subjects since each technical committee has representation from all interested IEC National Committees.
- 3) IEC Publications have the form of recommendations for international use and are accepted by IEC National Committees in that sense. While all reasonable efforts are made to ensure that the technical content of IEC Publications is accurate, IEC cannot be held responsible for the way in which they are used or for any misinterpretation by any end user.
- 4) In order to promote international uniformity, IEC National Committees undertake to apply IEC Publications transparently to the maximum extent possible in their national and regional publications. Any divergence between any IEC Publication and the corresponding national or regional publication shall be clearly indicated in the latter.
- 5) IEC itself does not provide any attestation of conformity. Independent certification bodies provide conformity assessment services and, in some areas, access to IEC marks of conformity. IEC is not responsible for any services carried out by independent certification bodies.
- 6) All users should ensure that they have the latest edition of this publication.
- 7) No liability shall attach to IEC or its directors, employees, servants or agents including individual experts and members of its technical committees and IEC National Committees for any personal injury, property damage or other damage of any nature whatsoever, whether direct or indirect, or for costs (including legal fees) and expenses arising out of the publication, use of, or reliance upon, this IEC Publication or any other IEC Publications.
- 8) Attention is drawn to the Normative references cited in this publication. Use of the referenced publications is indispensable for the correct application of this publication.
- 9) Attention is drawn to the possibility that some of the elements of this IEC Publication may be the subject of patent rights. IEC shall not be held responsible for identifying any or all such patent rights.

International Standard IEC 60793-1-42 has been prepared by subcommittee 86A: Fibres and cables, of IEC technical committee 86: Fibre optics.

This third edition cancels and replaces the second edition, published in 2007. It constitutes a technical revision.

This edition includes the following significant technical changes with respect to the previous edition:

- a) the inclusion of category B6 single-mode fibres;
- b) the deletion of test method D (interferometry).

This standard should be read in conjunction with IEC 60793-1-1.

The text of this standard is based on the following documents:

CDV	Report on voting
86A/1419/CDV	86A/1443/RVC

Full information on the voting for the approval of this standard can be found in the report on voting indicated in the above table.

This publication has been drafted in accordance with the ISO/IEC Directives, Part 2.

A list of all the parts in the IEC 60793 series, published under the general title *Optical fibres*, can be found on the IEC website.

The committee has decided that the contents of this publication will remain unchanged until the stability date indicated on the IEC web site under "<http://webstore.iec.ch>" in the data related to the specific publication. At this date, the publication will be

- reconfirmed,
- withdrawn,
- replaced by a revised edition, or
- amende

IMPORTANT – The 'colour inside' logo on the cover page of this publication indicates that it contains colours which are considered to be useful for the correct understanding of its contents. Users should therefore print this document using a colour printer.

OPTICAL FIBRES –

Part 1-42: Measurement methods and test procedures – Chromatic dispersion

1 Scope

This part of IEC 60793 establishes uniform requirements for measuring the chromatic dispersion of optical fibre, thereby assisting in the inspection of fibres and cables for commercial purposes.

Chromatic dispersion varies with wavelength. Some methods and implementations measure the group delay as a function of wavelength and the chromatic dispersion and dispersion slope are deduced from the derivatives (with respect to wavelength) of this data. This differentiation is most often done after the data are fitted to a mathematical model. Other implementations can allow direct measurement (of the chromatic dispersion) at each of the required wavelengths.

For some (sub-) categories of fibre, the chromatic dispersion attributes are specified with the parameters of a specific model. In these cases, the relevant recommendation or standard defines the model appropriate for the definition of the specified parameters. For other fibre (sub-) categories, the dispersion is specified to be within a given range for one or more specified wavelength intervals. In the latter case, either direct measurements may be made at the wavelength extremes or some fitting model may be used to either allow group delay measurement methods or implementations, or to allow storage of a reduced set of parameters that may be used to calculate the interpolated dispersion for particular wavelengths which may not have actual direct measurement values.

Annex D gives a general description of chromatic dispersion fitting and outlines a number of fitting equations suitable for use with any of the measurement methods or fibre categories.

This standard gives three methods for measuring chromatic dispersion:

- method A: phase shift;
- method B: spectral group delay in the time domain;
- method C: differential phase shift.

Methods A, B, and C apply to the measurement of chromatic dispersion of the following fibres from IEC 60793-2 over a specified wavelength range:

- category A1 graded-index multimode fibres;
- sub-category A4f, A4g and A4h multimode fibres;
- category B1, B2, B4, B5 and sub-categories B6_a1 and B6_a2 single-mode fibres.

The methods can be applied to laboratory, factory and field measurements of chromatic dispersion, and the wavelength range of the measurements can be tailored as require. Measurements are made at temperature as stated in Table 1 of IEC 60793-1-1:2008, Standard range of atmospheric conditions.

The methods are suitable for fibre or cable lengths greater than 1 km. They may also be applied to shorter lengths, but accuracy and repeatability may be compromise.

Information common to all methods is contained in Clauses 1 to 8, and information pertaining to each individual method appears in Annexes A, B and C, respectively.

2 Normative references

The following documents, in whole or in part, are normatively referenced in this document and are indispensable for its application. For dated references, only the edition cited applies. For undated references, the latest edition of the referenced document (including any amendments) applies.

IEC 60793-1-1:2008, *Optical fibres – Part 1-1: Measurement methods and test procedures – General and guidance*

IEC 60793-1-41, *Optical fibres – Part 1-41: Measurement methods and test procedures – Bandwidth*

IEC 60793-2, *Optical fibres – Part 2: Product specifications – General*

3 Overview of methods

3.1 Method A, phase shift

This method describes a procedure for determining the chromatic dispersion of the categories of class B single-mode fibres B1, B2, B4, B5 and sub-categories B6_a1 and B6_a2, category A1 graded-index multimode fibres and sub-category A4f, A4g and A4h fibres, over a specified wavelength range using the relative phase shifts among sinusoidally modulated optical sources of different wavelengths. The sources are typically laser diodes or filtered light emitting diodes or filtered amplified spontaneous emission (ASE) sources. Relative phase shifts are converted to relative time delays, and the resultant spectral group delay data are then fitted to an equation defined for each fibre (sub) category.

3.2 Method B, spectral group delay in the time domain

This method describes a procedure for determining the chromatic dispersion of the categories of class B single-mode fibres B1, B2, B4, B5 and sub-categories B6_a1 and B6_a2, category A1 graded-index multimode fibres and sub-category A4f, A4g and A4h fibres with the use of a Nd:YAG/fibre Raman laser source or multiple laser diodes operating at a number of wavelengths, both greater than and less than, the typical zero-dispersion wavelength.

In this method, the time difference of optical pulse delay through a known length of fibre at several wavelengths is measured. A reference set of measurements shall also be taken through a short reference fibre and data are subtracted from data taken from the fibre under test to obtain relative spectral group delay. The resultant spectral group delay data are then fitted to an equation defined for each fibre (sub) category.

3.3 Method C, differential phase shift

This method describes a procedure for determining the chromatic dispersion of the categories of class B single-mode fibres B1, B2, B4, B5 and sub-categories B6_a1 and B6_a2, category A1 graded-index multimode fibres and sub-category A4f, A4g and A4h fibres. The dispersion coefficient at a particular wavelength is determined from the differential group delay between two closely spaced wavelengths.

In this procedure, a modulated light source is coupled into the fibre under test, and the phase of the light exiting the fibre at a first wavelength is compared with the phase of the light exiting at a second wavelength. Average chromatic dispersion over the interval between the two wavelengths is determined from differential phase shift, wavelength interval, and fibre length.

The chromatic dispersion coefficient at a wavelength medial to the two test wavelengths is assumed to be equal to the average chromatic dispersion over the interval between the two

wavelengths. The resultant chromatic dispersion data are then fitted to an equation defined for each fibre (sub) category.

4 Reference test methods

4.1 Category A1 and sub-category A4f, A4g and A4h multimode fibres

For category A1 and sub-category A4f, A4g and A4h multimode fibres, method B, spectral group delay in the time domain, is the reference test method ("RTM"), which shall be the one used to resolve disputes .

4.2 Class B single-mode fibres

For the categories of class B single-mode fibres B1, B2, B4, B5 and sub-categories B6_a1 and B6_a2, method A, phase shift, is the RTM. In the absence of method A, method C, differential phase shift, may also be used to resolve disputes.

5 Apparatus

5.1 General

The following apparatus is common to all measurement methods. Annexes A, B and C include layout drawings and other equipment requirements that individually apply for each of the methods, A, B and C respectively.

5.2 Launch optics

The output from the signal sources shall be coupled to the fibre under test or the reference fibre such that the physical path length for each source is held constant during the measurement. (This requirement ensures that the relative phases of the sources do not change due to path-length changes.) Suitable devices may include multichannel single-mode optical switches or demountable optical connectors.

For measurement of category A1, and sub-category A4f, A4g, A4h multimode fibre, launch conditions shall comply with method A, Impulse response, of IEC 60793-1-41.

5.3 High-order mode filter (single-mode)

For measurement of single-mode fibre, use a method to remove high-order propagating modes in the wavelength range of interest. An example of such a high-order mode filter is a single loop of radius sufficiently small to shift cut-off wavelength below the minimum wavelength of interest.

5.4 Input positioning apparatus

Provide means to couple the input of the specimen to the light source. Examples include the use of x-y-z micropositioner stages, or mechanical coupling methods such as connectors, vacuum splices, three-rod splices, etc. The position of the fibre shall remain stable over the duration of the test.

5.5 Output positioning apparatus

Provide means of positioning the output end of the specimen such that the guided optical power is coupled to the system detector. Such coupling may include the use of lenses, or may be a mechanical connection to a detector pigtail.

5.6 Computation equipment

A digital computer may be used for purposes of equipment control, data acquisition, and numerical evaluation of the data.

6 Sampling and specimens

6.1 Specimen length

Methods A, B, and C require the specimen to be a fibre or cable of known length sufficiently long to produce adequate phase measurement accuracy. A typical minimum length is 1 km. Because sub-category A4f, A4g and A4h fibres have higher loss than category A1 fibres, for these A4 fibres a minimum length of 100 m is acceptable.

NOTE Reproducibility is affected when using shorter measuring length. Longer lengths generally yield better reproducibility.

6.2 Specimen end face

Prepare a flat end face, orthogonal to the fibre axis, at the input and output ends of each specimen.

6.3 Reference fibre

A single mode fibre with known dispersion characteristics shall be used to compensate for chromatic delays in the optical sources and other equipment components. The length of this fibre shall be less than or equal to 0,2 % of the specimen length.

In case of A4f, A4g and A4h fibres, the length of the reference fibre shall be less than or equal to 2 m. If this length is longer than 0,2 % of the length of the specimen under test, the chromatic dispersion of the reference fibres shall be taken into account by subtracting its chromatic dispersion value from the results measured on the specimen length.

The temperature of the specimen shall be stable during the measurement within 0,1 °C to 1 °C, depending upon the temporal behaviour due to this change.

7 Procedure

See Annexes A, B and C for the procedures for methods A, B and C, respectively.

Reference fibre measurements are required for all methods. Reference fibre data can be stored for use in making measurements on the specimens. The reference fibre measurement procedure should be repeated when equipment changes on the source or receive optics or electronics occur.

8 Calculations

8.1 General

The calculation of relative delay appropriate for each method is given in Annexes A, B and C, respectively.

The remainder of this clause describes the numerical fit that can be applied for all methods to the spectral group delay data normalized by length, $\tau(\lambda)$, see also the Annex D.

λ is the wavelength (nm)

$\tau(\lambda)$	is the normalized spectral group delay data fit	(ps/km)
$D(\lambda)$	is the chromatic dispersion coefficient, with $D(\lambda) = d\tau(\lambda) / d\lambda$	(ps/(nm × km))
λ_0	is the zero-dispersion wavelength	(nm)
$\tau(\lambda_0)$	is the relative delay minimum at the zero-dispersion wavelength	(ps/km)
$S(\lambda)$	is the dispersion slope, with $S(\lambda) = d D(\lambda) / d\lambda$.	(ps/(nm ² × km))
S_0	is the dispersion slope at the zero-dispersion wavelength	(ps/(nm ² × km))

NOTE 1 $\tau(\lambda)$ and $D(\lambda)$ may either be direct measurements or the result of fitting the direct measurements to a specified function.

NOTE 2 Where, for example, a data fitting function is specified, the parameters of the expression on the right side of the equation are determined so as to minimize the sum of squared errors with regard to the direct measurements. Once determined, this expression is used to determine the values of other various parameters.

NOTE 3 The fit parameters are given as the variables A, B, C, D, or E, see also Annex D.

8.2 Category A1 and sub-category A4f, A4g, A4h multimode fibres and category B1.1, B1.3 and sub-category B6_a1 and B6_a2 single-mode fibres

The following applies to category A1 and sub-category A4f, A4g and A4h multimode fibres, and to category B1.1, B1.3 and sub-category B6_a1 and B6_a2 single-mode fibres around 1 310 nm.

The delay or dispersion data fit shall be fitted with the 3-term Sellmeier fit type, see Annex D. Calculations for the chromatic dispersion coefficient $D(\lambda)$, the zero-dispersion wavelength λ_0 and the dispersion slope at the zero-dispersion wavelength S_0 are shown in Annex D.

In the 1 550 nm region only, the chromatic dispersion can be approximated as a linear function with wavelength (quadratic fit type to the delay data), see Annex D.

8.3 Category B1.2 single-mode fibres

The following applies to category B1.2 single-mode fibres.

Depending on accuracy requirements, for wavelength intervals of up to 35 nm, the quadratic fit type is allowed in the 1 550 nm region. This fitted equation should not be used to predict chromatic dispersion at wavelengths outside the range used for the fit. For longer wavelength intervals, either the 5-term Sellmeier fit type or the 4th order polynomial fit type is recommended. It is not meant to be used in the 1 310 nm region.

Calculations for the chromatic dispersion coefficient $D(\lambda)$ and the dispersion slope $S(\lambda)$ are shown in Annex D.

8.4 Category B2 single-mode fibres

The following applies to category B2 single-mode fibres.

Depending on accuracy requirements, for wavelength intervals of up to 35 nm, the quadratic fit type is allowed in the 1 550 nm region. The fitted equation should not be used to predict chromatic dispersion at wavelengths outside the range used for the fit.

For longer wavelength intervals, either the 5-term Sellmeier fit type or the 4th order polynomial fit type is recommended. It is not meant to be used in the 1 310 nm region.

The corresponding chromatic dispersion coefficient $D(\lambda)$, the zero-dispersion wavelength λ_0 and the dispersion slope at the zero-dispersion wavelength S_0 are shown in Annex D.

8.5 Category B4 and B5 single-mode fibres

The following applies to category B4 and B5 single-mode fibres.

For normal use over longer wavelength intervals (> 35 nm), either the 5-term Sellmeier fit type or the 4th order polynomial fit type is recommended. The fitted equation should not be used to predict chromatic dispersion at wavelength outside the range used for the fit.

For B4 fibres only, the quadratic fit type may be used in case of a short wavelength interval (≤ 35 nm). The fit type should not be used to predict chromatic dispersion at wavelengths outside the range used for the fit.

The corresponding chromatic dispersion coefficient $D(\lambda)$ and the dispersion slope $S(\lambda)$ are shown in Annex D.

9 Results

9.1 Report the following information with each measurement:

- date and title of measurement;
- equation(s) used to calculate the results;
- identification of specimen;
- length of specimen used for length normalization;
- measurement results as required by the detail specification.

NOTE Examples of the information that the detail specification may require:

- a) dispersion coefficient values measured at certain specified wavelengths;
- b) dispersion minimum and/or maximum over a specified range of wavelengths;
- c) the zero-dispersion wavelength and dispersion slope at this wavelength.

9.2 The following information shall be available upon request:

- method used: A, B or C;
- description of optical source(s) and measurement wavelengths used;
- modulation frequency (if applicable);
- description of signal detector, signal detection electronics and delay device;
- description of computational techniques used;
- date of latest calibration of measurement equipment.

10 Specification information

The detail specification shall specify the following information:

- (sub) category of fibre to be measured;
- failure or acceptance criteria;
- information to be reported;
- any deviations to the procedure that apply.

Annex A (normative)

Requirements specific to method A, phase-shift

A.1 Apparatus

A.1.1 Light source

The light source shall be stable in position, intensity, and wavelength over a time period sufficiently long to complete the measurement procedure. Multiple laser diodes (for an example, see Figure A.1), wavelength-tunable laser diodes, light-emitting diodes (for example, see Figure A.3), or broadband sources (for example, a Nd:YAG laser with a Raman fibre or an ASE source) may be used, depending on the wavelength range of the measurement.

The wavelength launched into the fibre under test may be selected using an optical switch, a monochromator, dispersive devices, optical filters, optical couplers, or by tuning the laser, depending on the type of light sources and measurement set-up. The wavelength selector may be used either at the input or at the output of the fibre under test.

For category B1 fibres measured with a three-wavelength system in which the source wavelengths bracket the zero-dispersion wavelength, λ_0 (see Figure A.2), the tolerance or instability, $\delta\lambda$, in centre wavelength will lead to maximum errors of $3\delta\lambda$ in measuring λ_0 . Maximum errors in dispersion slope, S_0 , are directly proportional to $\delta\lambda/\Delta\lambda$ (where $\Delta\lambda$ = source wavelength spacing) and will be approximately 0,012 ps/(nm² × km) for $\delta\lambda/\Delta\lambda = 1$ nm/30 nm.

Errors smaller than the above maximum errors can be achieved by selecting optical sources with an average wavelength close to the expected λ_0 of the specimen and by using more than three wavelengths, or both.

When laser sources are used, typically, a temperature-controlled, single longitudinal-mode laser diode with output power stabilization (e.g. PIN photodiode feedback) is sufficient. An additional laser may be required for the reference link for field measurement sets (see A.1.4).

A.1.2 Spectral width

The spectral width of the source, as measured in the specimen, shall be less than or equal to 10 nm at 50 % power points (FWHM).

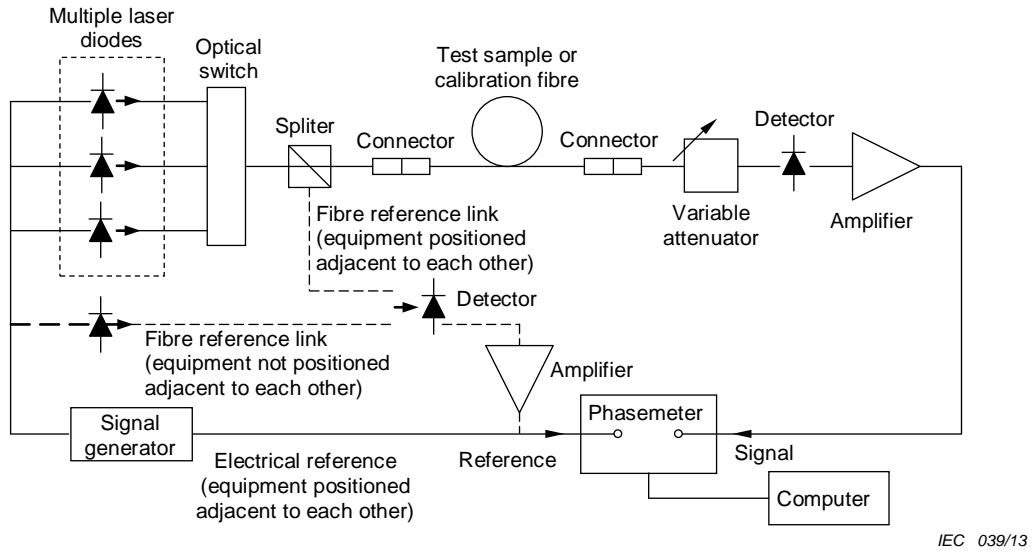


Figure A.1 – Chromatic dispersion measurement set, multiple laser system (typical)

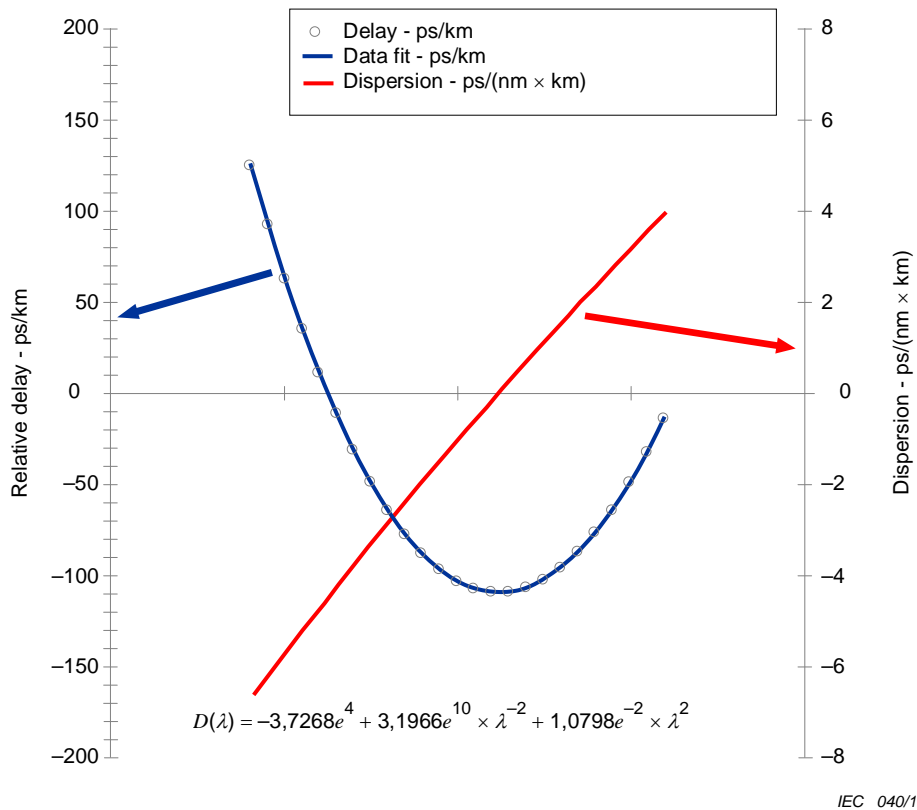


Figure A.2 – Typical delay and dispersion curves

A.1.3 Modulator

The modulator shall amplitude modulate the light sources to produce a waveform with a single, dominant Fourier component. For example, a sinusoidal, trapezoidal or square wave modulation shall be acceptable. The frequency stability shall be a minimum of one part in 10⁶.

It is essential to prevent ambiguities of $360(n)$ degrees, where n is an integer, in measuring phase shift. This can be accomplished by means such as tracking 360° phase changes, or by choosing a modulator frequency sufficiently low to limit the relative phase shifts to less than 360° . Determine the maximum frequency for a 360° shift for category B1 fibres as:

$$f_{\max} = \frac{8 \times 10^6}{S_0 \times L} \left[\left(\lambda_i - \frac{\lambda_0^2}{\lambda_i} \right)^2 - \left(\lambda_j - \frac{\lambda_0^2}{\lambda_j} \right)^2 \right]^{-1} \quad (\text{A.1})$$

where

- f_{\max} is the maximum frequency for a 360° shift for category B1 fibres (MHz);
- L is the maximum expected specimen length (km);
- S_0 is the expected typical dispersion slope at λ_0 (ps/nm² × km);
- λ_0 is the expected typical zero-dispersion wavelength (nm);
- λ_i and λ_j comprise the wavelength pair, used in the measurement, that minimizes f_{\max} .

The frequency of the modulator shall be sufficiently high to ensure adequate measurement precision.

The following is an example of the dependence of precision on test system parameters: for category B1 fibres and a three-wavelength system, in which the source wavelengths span $\Delta\lambda$, maximum errors will be 0,001 2 ps/nm² × km for S_0 , and 0,4 nm for λ_0 if the minimum modulator frequency, f_{\min} (MHz), is:

$$f_{\min} = \frac{\Delta\phi \times 10^7}{L \times (\Delta\lambda)^2} \quad (\text{A.2})$$

where

- f_{\min} is the minimum modulator frequency (MHz);
- $\Delta\phi$ is the overall measurement equipment phase instability (degrees);
- L is the minimum expected specimen length (km);
- $\Delta\lambda$ is the average wavelength spacing between adjacent sources (nm).

Hence for $\Delta\phi = 0,1^\circ$, $L = 10$ km, and $\Delta\lambda = 32$ nm, a minimum frequency of approximately 100 MHz is require

NOTE 1 Equation (A.2) above was developed by repeatedly solving for λ_0 and S_0 in the time-delay Equation (2) of Clause 6 with various values of wavelength spacing and phase instability.

NOTE 2 Errors smaller than the above maximum errors can be achieved by selecting sources having an average wavelength close to the expected λ_0 of the specimen, and by using more than three wavelengths, or both.

The phase modulation at each light source may be adjustable to facilitate measurement-set calibration.

A.1.4 Signal detector and signal detection electronics

Use an optical detector that is sensitive over the range of wavelengths to be measured in conjunction with a phase meter. An amplifier may be used to increase the detection system sensitivity. A typical system might include a PIN photodiode, field-effect transistor (FET) amplifier, and a vector voltmeter.

The detector-amplifier-phase meter system shall respond only to the fundamental Fourier component of the modulating signal and shall introduce a signal phase shift that is constant over the range of received optical powers encountered. The received power range may be controlled by a variable optical attenuator.

A.1.5 Reference signal

Provide a reference signal with the same dominant Fourier component as the modulating signal to the phase meter against which to measure the phases of the signal sources. The reference signal should be phase-locked to the modulating signal and is typically derived from the modulating signal.

Examples of reference signal configurations (see Figures A.1 and A.3 for examples a), b), and c)):

- where the signal sources and detector are positioned adjacent to each other, such as in a laboratory test or during calibration, an electrical connection can be used between the signal generator and the reference port of the phase meter;
- an optical splitter, inserted before the specimen, and a detector may also be used for equipment positioned adjacent to each other;
- for field testing of optical cables (sources and detector not positioned adjacent to each other), an optical link can be used, typically comprising a modulated light source, fibre, and detector similar to those used for the specimen;
- a reference signal for field testing can also be transmitted on the fibre under test using wavelength division multiplexing.

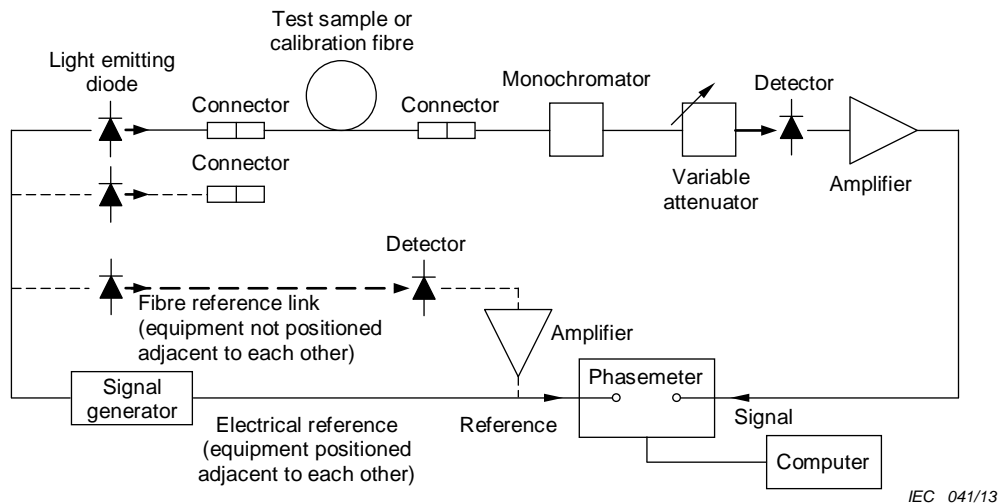


Figure A.3 – Chromatic dispersion measurement set, LED system (typical)

A.2 Procedure

A.2.1 Calibration

Insert the reference fibre (6.3) into the measurement apparatus, and establish a reference signal (A.1.5). Measure and record the phase, $\phi_{in}(\lambda_i)$, for each signal source.

Alternatively, if the signal sources are phase adjustable, then with the reference fibre in place, the phases of all signal sources shall be equalize Then perform specimen measurements as described in A.2.2. In this case $\phi_{in}(\lambda_i) = 0$ for the calculations of A.3.1.

A.2.2 Specimen measurements

Insert the specimen into the measurement apparatus, and establish a reference signal (see A.1.5). Measure and record the phase, $\phi_{out}(\lambda_i)$, of each signal source.

NOTE Perform all specimen and calibration or equalization measurements with the input optical power level at the detector adjusted to a range that minimizes level-dependent phase shifts in the detector and detector electronics.

A.3 Calculations

A.3.1 Subtract the measured input phase at each wavelength from the output phase at that wavelength. The relative group delay for all λ_i is:

$$\tau(\lambda_i) = [\phi_{\text{out}}(\lambda_i) - \phi_{\text{in}}(\lambda_i)] \times \frac{10^6}{360 \times f \times L} \quad (\text{A.3})$$

where

- $\tau(\lambda_i)$ is the relative group delay (ps/km);
- $\phi_{\text{out}}(\lambda_i)$ were measured in A.2.2 (degrees);
- $\phi_{\text{in}}(\lambda_i)$ were measured in A.2.1 (degrees);
- f (MHz) is the frequency of the modulation waveform;
- L (km) is the specimen length minus the calibration specimen length.

A.3.2 Using the delay data of A.3.1, calculate the best fit to one of the delay equations in Clause 8.

A.3.3 Using these best-fit values of the appropriate coefficients from Clause 8, calculate the dispersion, $D(\lambda)$, or other parameters as required by the detail specification. Refer to Figure A.2 as an example of the delay data, $\tau(\lambda)$, and the calculated dispersion, $D(\lambda)$.

A.3.4 Dispersion can be specified through the zero-dispersion wavelength, λ_0 , and slope, S_0 , or by specifying the chromatic dispersion coefficient at one or more wavelengths, or both. In some cases, the zero-dispersion wavelength and slope parameters are only used to calculate the dispersion coefficient at wavelengths well away from the zero-dispersion wavelength.

When the zero-dispersion wavelength is specified, the measurement wavelengths should bracket the zero-dispersion wavelength or include data at a wavelength within 100 nm. When the zero-dispersion wavelength and slope are used only for the calculation of dispersion coefficients at wavelengths far away from the zero-dispersion wavelength, the measurements shall span the wavelengths with which the calculation is use When the dispersion coefficient is specified, the measurements shall span the wavelengths at which the dispersion coefficient is specified See Annex D for information on the wavelength ranges measured and the suitable fitting technique.

Annex B (normative)

Requirements specific to method B, spectral group delay in the time domain

B.1 Apparatus

B.1.1 Light source

B.1.1.1 Fibre Raman laser

A fibre Raman laser system, consisting of a synchronously mode locked and Q-switched Nd:YAG laser pumping an appropriate length (approximately 200 m) of single-mode fibre, spectrally filtered by a device such as a grating monochromator, shall be capable of producing optical pulses of short duration (<400 ps full-width half max (FWHM)) and of sufficient intensity and spatial and temporal stability to perform the measurements described (see Figure B.1).

B.1.1.2 Multiple laser diodes

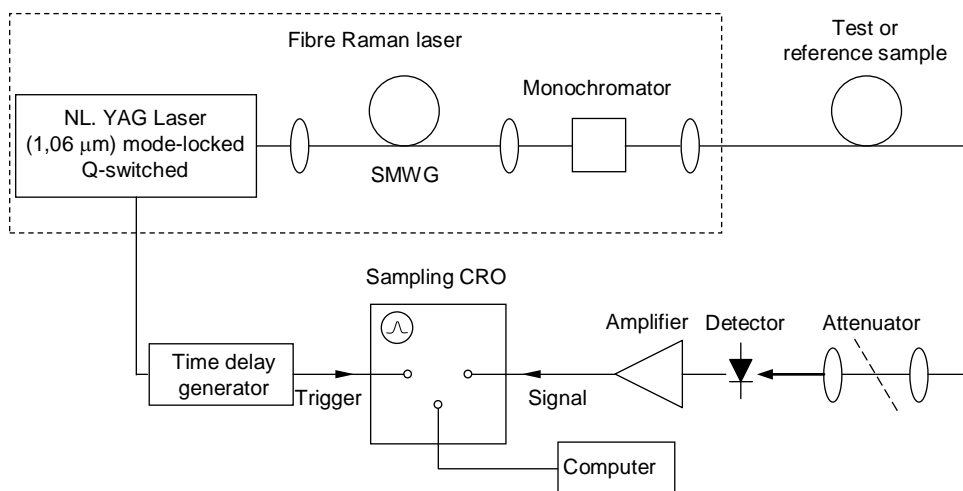
Multiple (three or more) injection laser diodes at several wavelengths shall be considered sufficient for purposes of these measurements if they are of short duration (less than 400 ps FWHM), are stable in intensity, and can be stably triggered over the duration of the measurement (see Figure B.2).

B.1.1.3 Wavelength-tunable laser diodes

One or more wavelength-tunable laser diodes (for example, an external-cavity laser) may be used if they produce pulses of short duration (less than 400 ps FWHM), are stable in intensity, and can maintain a stable wavelength and be stably triggered over the duration of the measurement.

B.1.1.4 Spectral width

The spectral width of the source, as measured in the specimen, shall be less than or equal to 10 nm at 50 % power points (FWHM).



IEC 042/13

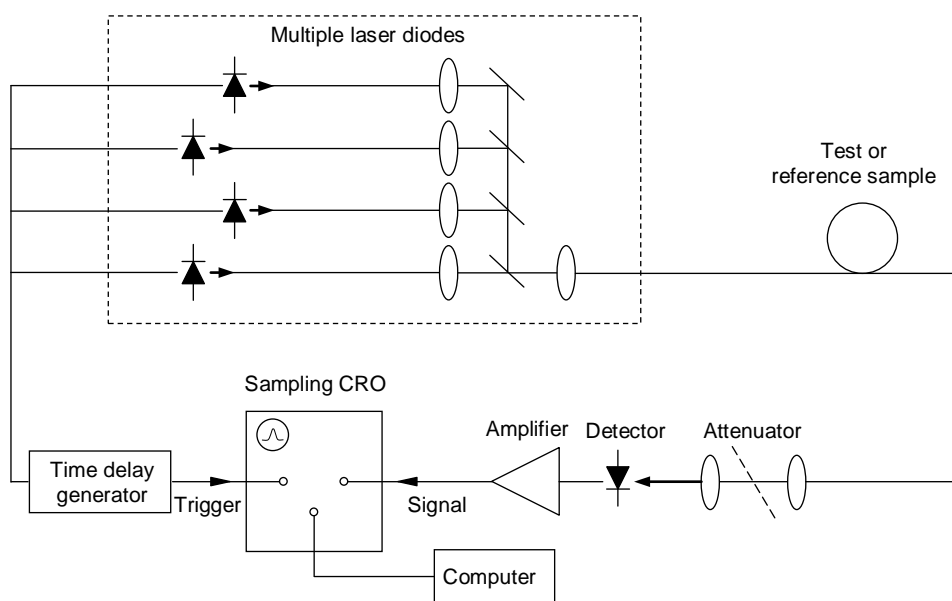
Figure B.1 – Block diagram, fibre Raman laser system

B.1.2 Signal detector

Use a high-speed optical detector, such as a germanium avalanche photodiode, that is sensitive over the range of wavelengths use It shall be linear within 10 % over the range of intensities encountere Note that the main constraint on linearity is simply that the pulse peak is not compressed in order that pulse peak temporal position remains unaffecte A wideband amplifier may be used to increase the detection system sensitivity, provided the speed and linearity specifications are still met. An optical attenuator may be used to maintain a constant signal amplitude.

B.1.3 Signal detection electronics

Use a measurement and/or display device, typically a high-frequency sampling oscilloscope, which is capable of displaying the relative arrival time of the optical pulses on a calibrated time scale.



IEC 043/13

Figure B.2 – Block diagram, multiple laser diode system

B.1.4 Delay device

Provide a device such as a digital delay generator, which either triggers the light source, or is triggered by the source, and which is capable of providing a delayed trigger signal for the detection electronics (sampling oscilloscope) for purposes of compensating for the differences in propagation delay between the test and reference specimens. The device shall provide delay times that are stable over the duration of the measurement with less than 50 ps root mean square (r.m.s) jitter and drift.

B.2 Procedure

B.2.1 Reference sampling measurements

Insert the reference fibre into the measurement apparatus, and adjust the wavelength of the light source to the first wavelength for the measurement. Adjust the delay generator to obtain a display of the input pulse on a known, calibrated time scale of the oscilloscope.

The pulse position is given by its peak or centroid. Record the temporal location of this pulse with respect to a fiducial mark (such as the display graticule) of the calibrated sweep for this first, reference wavelength.

Adjust the light source to the next wavelength and, without changing the delay generator, record $\tau_{in}(\lambda_i)$, the temporal difference between the positions of this pulse and that of the reference wavelength. Repeat this procedure at all required wavelengths to express the results in terms of pulse position change with respect to the reference wavelength.

NOTE By this method the delay accuracy of the delay device is not of importance. If it is not possible to perform these measurements as a result of large time differences of the pulses at different wavelengths, it is necessary to utilize a delay generator or similar instrument of known accuracy, and to record both its delay time and the pulse location on the oscilloscope at each wavelength in order to obtain the desired result.

B.2.2 Specimen measurements

Insert the specimen into the measurement apparatus, select the first wavelength, and adjust the delay generator to obtain a display of the output pulse on a known, calibrated time scale of the oscilloscope.

Record the temporal location of this pulse position.

Adjust the light source to the next wavelength, and record the temporal difference, $\tau_{out}(\lambda_i)$, between this pulse position and that of the reference wavelength pulse position found above, without readjusting the delay generator. Repeat this procedure at all required wavelengths, expressing the results in terms of the output pulse position time shift with respect to the reference wavelength pulse position. If it is not possible to perform the measurements in this manner, proceed as described in the note of B.2.1.

Subtract the measured input pulse temporal shift at each wavelength from the output pulse shift at the same wavelength.

B.3 Calculations

B.3.1 The group delay, $\tau(\lambda_i)$, per unit length is as follows:

$$\tau(\lambda_i) = \frac{[\tau_{out}(\lambda_i) - \tau_{in}(\lambda_i)]}{L} \quad (\text{B.1})$$

where

$\tau(\lambda_i)$ is the group delay per unit length;

$\tau_{in}(\lambda_i)$ is measured in B.2.1;

$\tau_{out}(\lambda_i)$ is measured in B.2.2;

L is the test fibre length minus the reference fibre length (km).

B.3.2 Using the data of B.3.1, calculate the best fit to one of the delay equations given in Clause 8.

B.3.3 Using the best-fit values of the appropriate coefficients from Clause 8, calculate the dispersion, $D(\lambda)$, or other parameters as required by the detail specification. Refer to Figure A.2 as an example of the fitted delay data, $\tau(\lambda)$, and the calculated dispersion, $D(\lambda)$.

B.3.4 Dispersion can be specified through the zero-dispersion wavelength, λ_0 , and slope, S_0 , or by specifying the chromatic dispersion coefficient at one or more wavelengths, or both. In some cases, the zero-dispersion wavelength and slope parameters are only used to calculate the dispersion coefficient at wavelengths well away from the zero-dispersion wavelength.

When the zero-dispersion wavelength is specified, the measurement wavelengths should bracket the zero-dispersion wavelength or include data at a wavelength within 100 nm. When the zero-dispersion wavelength and slope are used only for the calculation of dispersion coefficients at wavelengths far away from the zero-dispersion wavelength, the measurements shall span the wavelengths with which the calculation is use. When the dispersion coefficient is specified, the measurements shall span the wavelengths at which the dispersion coefficient is specifie. See Annex D for information on the wavelength ranges measured and the suitable fitting technique.

Annex C (normative)

Requirements specific to method C, differential phase-shift

C.1 Apparatus

C.1.1 Light source

C.1.1.1 Multiple laser diodes

If using laser diodes, two laser wavelengths are required for each measurement of chromatic dispersion (see Figure C.1). The centre wavelength and modulated output phase of each source shall be stable over the measurement time period at the bias current, modulation frequency, and diode temperature encountered.

A temperature-controlled, single longitudinal or multiple longitudinal mode laser diode with output power stabilization (e.g., deriving a feedback signal using an optical detector) can be used. An additional laser may be required for the reference link for field measurement sets (see C.1.4).

C.1.1.2 Filtered light emitting diodes

Use one or more light-emitting diodes (see Figure C.2). Their spectrum shall be filtered, typically by a monochromator, to give a spectral width, as measured in the specimen, which shall be less than or equal to 10 nm at 50 % power points (FWHM).

C.1.2 Modulator

The modulator shall amplitude modulate the light sources to produce a waveform with a single dominant Fourier component. For example, a sinusoidal, trapezoidal or square wave modulation shall be acceptable. A frequency stability of 1×10^{-6} is typically sufficient.

It is essential to prevent ambiguities of $360(n)$ degrees (n being an integer) in measuring the differential phase shift. This can be accomplished by means such as reducing the modulator frequency for larger specimen lengths, and large dispersion coefficients, or both. For example, the modulation frequency can be chosen sufficiently low to limit the differential phase shifts to less than 360° at each pair of wavelengths, maximum frequency can be determined for category B1 fibres as:

$$f_{\max} = \frac{4 \times 10^{12} \times \lambda_i^3 \times (\lambda_i^4 - \lambda_0^4)^{-1}}{S_0 \times L \times \Delta\lambda} \text{ Hz} \quad (\text{C.1})$$

where

- f_{\max} is the maximum frequency;
- λ_i is the source wavelength, in nm, that minimizes f_{\max} ;
- λ_0 is the expected typical zero dispersion wavelength, in nm;
- S_0 is the expected typical dispersion slope, in ps/(nm² × km) at λ_0 ;
- L is the specimen length, in km;
- $\Delta\lambda$ is the wavelength spacing between the differential phase measurement points, in nm.

The frequency of the modulator shall be sufficiently high to ensure adequate measurement precision.

The wavelength spacing, $\Delta\lambda$, between the differential phase measurement points is typically in the range 2 nm to 20 nm.

C.1.3 Signal detector and signal detection electronics

Use an optical detector that is sensitive over the range of wavelengths to be measured in conjunction with a phase meter. An amplifier can be used to increase the detection system sensitivity. A typical system might include a PIN photodiode, FET amplifier, and a phase-sensitive detector.

The detector-amplifier-phase meter system shall respond only to the fundamental Fourier component of the modulating signal and shall introduce a signal phase shift that is constant over the range of received optical powers encountered.

The signal processing unit will record the differential output from the phase meter produced by the pair of test wavelengths, and provide an output representing the differential phase between the two wavelengths to the computer/data acquisition system. Selection of the wavelength and measurement of the relative phase at the two wavelengths shall be sufficiently rapid so that the result is not adversely affected by the specimen's length drift. The signal processing block may be implemented in several ways, three examples of which are given below.

In the first example depicted in Figures C.1 and C.2, the signal-processing block records phase at one test wavelength and then records phase at the other wavelength. Chromatic dispersion at the mean wavelength is determined from the differential phase and fibre length. The block labelled "signal processing" in Figure C.2 may be encompassed by the computer. The second example is depicted in Figure C.3. The reference signal for the phase meter is itself one of the two test wavelengths that pass down the fibre.

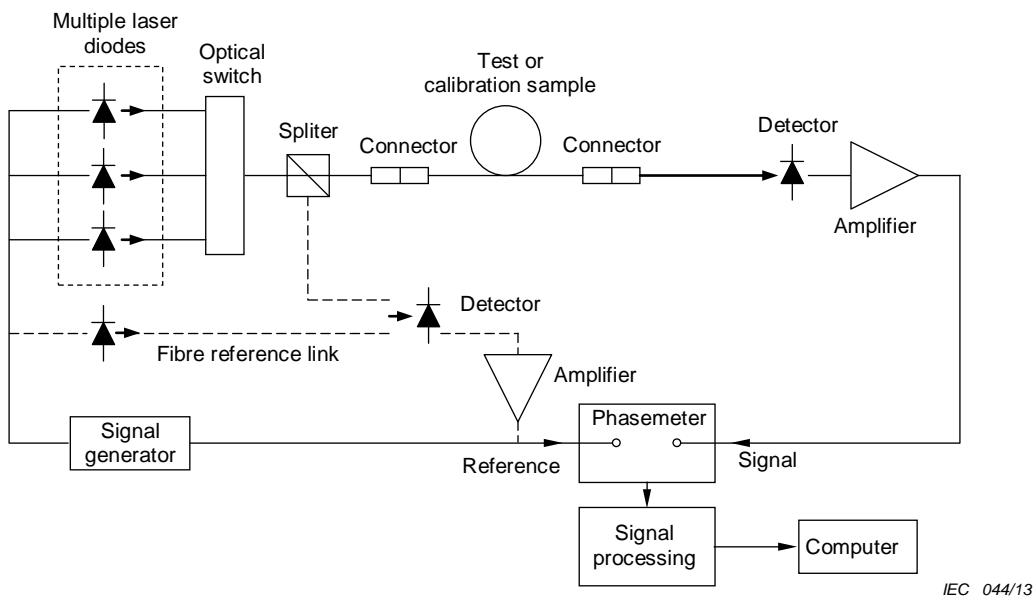
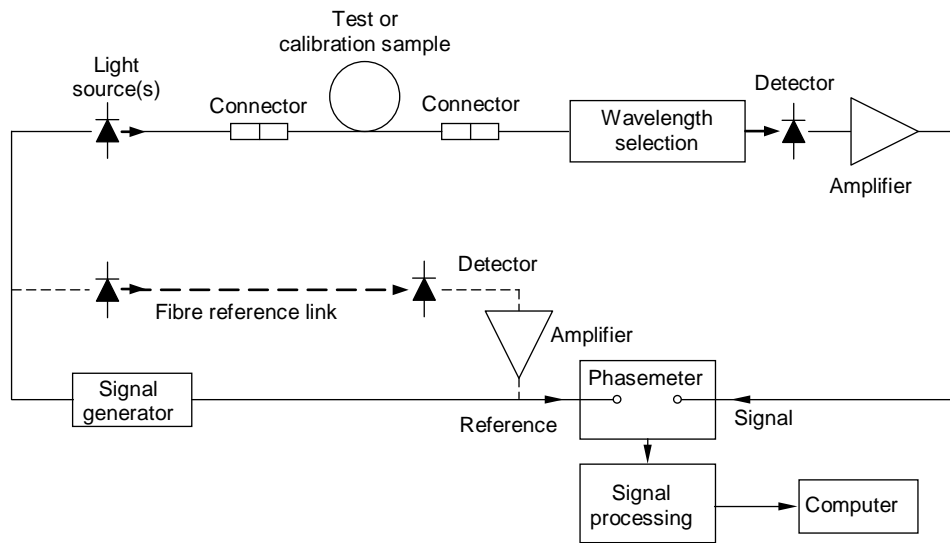
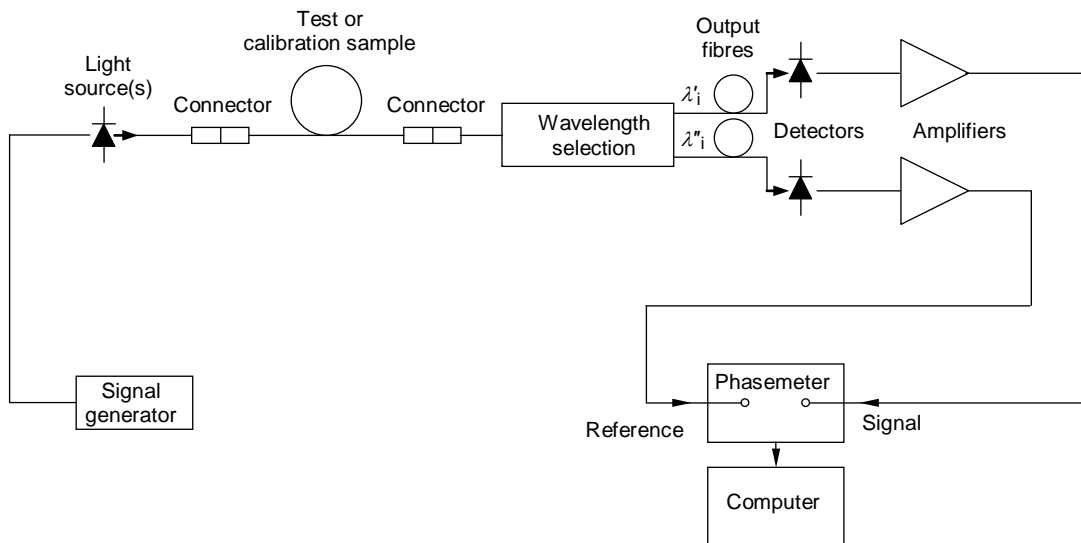


Figure C.1 – Chromatic differential phase dispersion measurement set, multiple laser system



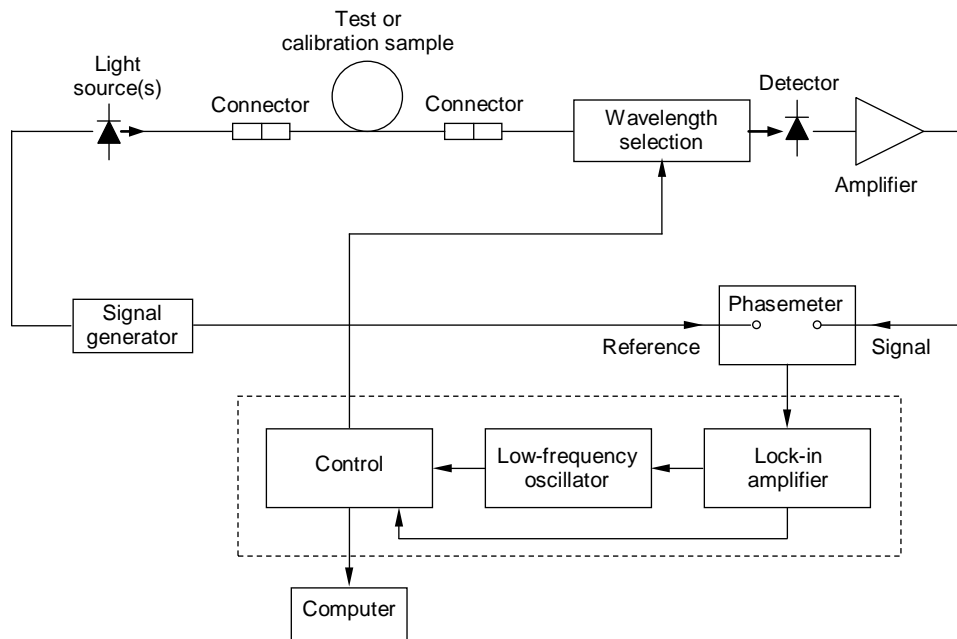
IEC 045/13

Figure C.2 – Chromatic differential phase dispersion measurement set, LED system



IEC 046/13

Figure C.3 – Chromatic dispersion measurement set, differential phase by dual wavelength method



IEC 047/13

Figure C.4 – Chromatic dispersion measurement set, differential phase by double demodulation

The third example is depicted in Figure C.4. The light is alternated between two wavelengths at a frequency of several hundred hertz, allowing detection of a differential phase output using the phase meter. The phase meter produces an a.c. signal, synchronous with the wavelength modulation, with amplitude proportional to the differential phase between the two test wavelengths. This signal is subsequently demodulated by a lock-in amplifier to produce a c. signal representing the differential phase. Determine chromatic dispersion at the mean wavelength from the differential phase and fibre length.

Optical means, such as a variable optical attenuator, may be provided to control the received optical power.

C.1.4 Reference signal

Provide a reference signal with the same fundamental Fourier component as the modulating signal to the phase meter, against which to measure the differential phases of the signal sources. The reference signal shall be synchronized to the modulating signal and is typically derived from the modulating signal.

The following are examples of reference signals (see Figure C.1):

- a) Where the signal sources and detector are co-located, such as in a laboratory measurement or during calibration, an electrical connection can be used between the signal generator and the reference port of the phase meter.
- b) An optical splitter, inserted before the specimen, and a detector, may also be used for co-located equipment.
- c) For field testing of optical cables (sources and detector not co-located), an optical link can be used, typically comprising a modulated light source, fibre, and detector similar to those used for the specimen.

C.2 Procedure

C.2.1 Specimen measurements

Insert the specimen in the measurement apparatus and establish a reference signal. Measure and record the differential phase, $\Delta\phi(\lambda_i)$, of adjacent pairs of wavelengths, λ_i' and λ_i'' , with mean wavelength, λ_i .

C.2.2 Calibration

Insert the reference fibre into the measurement apparatus and establish a reference signal.

Measure and record the differential phase, $\Delta\phi'(\lambda_i)$, of adjacent pairs of wavelengths λ_i' , λ_i'' , with mean wavelength, λ_i .

NOTE Perform all specimen and calibration measurements with the input optical power level at the detector adjusted to a range that minimizes level-dependent phase shifts in the detector and electronics.

C.3 Calculations

For calculating dispersion, subtract the calibration fibre differential phase at each wavelength pair from the corresponding specimen's differential phase.

a) The chromatic dispersion coefficient, $D(\lambda_i)$, at each wavelength, λ_i , is given by:

$$D(\lambda_i) = \frac{\Delta\phi(\lambda_i) - \Delta\phi'(\lambda_i)}{360 \times f \times L \times \Delta\lambda} \times 10^{12} \text{ ps}/(\text{nm} \times \text{km}) \quad (\text{C.2})$$

where

$D(\lambda_i)$ is the chromatic dispersion coefficient;

λ_i is the mean value of the two wavelengths λ_i' and λ_i'' , (nm);

$\Delta\phi(\lambda_i)$ was measured in C.2.1 (degrees);

$\Delta\phi'(\lambda_i)$ was measured in C.2.2 (degrees);

f is the frequency of the modulating waveform (Hz);

L is the specimen length minus the calibration specimen length (km);

$\Delta\lambda = \lambda_i' - \lambda_i''$ (nm).

b) The chromatic dispersion coefficient may in itself be used to characterize the fibre under test. No other data processing or calculation is necessary for the measurement of the dispersion coefficient(s) at the measurement wavelength(s) use

c) Dispersion can be specified through the zero-dispersion wavelength, λ_0 , and slope, S_0 , or by specifying the chromatic dispersion coefficient at one or more wavelengths, or both. In some cases, the zero-dispersion wavelength and slope parameters are only used to calculate the dispersion coefficient at wavelengths well away from the zero-dispersion wavelength.

When the zero-dispersion wavelength is specified, the measurement wavelengths should bracket the zero-dispersion wavelength or include data at a wavelength within 100 nm. When the zero-dispersion wavelength and slope are used only for the calculation of dispersion coefficients at wavelengths far away from the zero-dispersion wavelength, the measurements shall span the wavelengths with which the calculation is use. When the dispersion coefficient is specified, the measurements shall span the wavelengths at which the dispersion coefficient is specific. See Annex D for information on the wavelength ranges measured and the suitable fitting technique.

Annex D (normative)

Chromatic dispersion fitting

D.1 General

The output from the measurement of chromatic dispersion is either directly measured chromatic dispersion values or group delay values as a function of wavelength. The chromatic dispersion value and dispersion slope is found from the derivatives of these data. The differentiation is most often done after the data are fitted to a mathematical model or fit type.

This annex gives a general description of chromatic dispersion fitting and outlines a number of standard fitting equations.

NOTE Even though dispersion slope characteristics may not be normative requirements, typical values are often provided by manufacturers for ease in dispersion accommodation.

D.2 Definition of equations and fitting coefficients

Table D.1 contains a general description of mathematical models that are fitted. The polynomial formulation is general and can be extended to higher order polynomials via the same principles, providing the fit remains stable (see below).

Table D.2 shows the corresponding equations for dispersion slope.

Table D.3 shows the formulae for the zero-dispersion wavelength and slope at that wavelength (zero dispersion slope) for the 3-term Sellmeier and second-order polynomial models.

Table D.1 – Definition of fit types and fit coefficients; equations for group delay and dispersion coefficient

Fit type	Group delay – $\tau(\lambda)$	Dispersion coefficient – $D(\lambda)$
3-term Sellmeier	$A + B \times \lambda^2 + C \times \lambda^{-2}$	$2 \times B \times \lambda - 2 \times C \times \lambda^{-3}$
5-term Sellmeier	$A + B \times \lambda^2 + C \times \lambda^{-2} + D \times \lambda^4 + E \times \lambda^{-4}$	$2 \times B \times \lambda - 2 \times C \times \lambda^{-3} + 4 \times D \times \lambda^3 - 4 \times E \times \lambda^{-5}$
2nd order polynomial (quadratic)	$A + B \times \lambda + C \times \lambda^2$	$B + 2 \times C \times \lambda$
3rd order polynomial (cubic)	$A + B \times \lambda + C \times \lambda^2 + D \times \lambda^3$	$B + 2 \times C \times \lambda + 3 \times D \times \lambda^2$
4th order polynomial	$A + B \times \lambda + C \times \lambda^2 + D \times \lambda^3 + E \times \lambda^4$	$B + 2 \times C \times \lambda + 3 \times D \times \lambda^2 + 4 \times E \times \lambda^3$

Table D.2 – Slope equations

Fit type	Dispersion slope – $S(\lambda)$
3-term Sellmeier	$2 \times B + 6 \times C \times \lambda^{-4}$
5-term Sellmeier	$2 \times B + 6 \times C \times \lambda^{-4} + 12 \times D \times \lambda^2 + 20 \times E \times \lambda^{-6}$
2nd order polynomial (quadratic)	$2 \times C$
3rd order polynomial (cubic)	$2 \times C + 6 \times D \times \lambda$
4th order polynomial	$2 \times C + 6 \times D \times \lambda + 12 \times E \times \lambda^2$

Table D.3 – Zero-dispersion wavelength and slope equations

Fit type	Zero-dispersion wavelength – λ_0	Zero-dispersion slope – S_0
3-term Sellmeier	$(C/B)^{1/4}$	8B
2 nd order polynomial (quadratic)	$-B/(2C)$	2C

NOTE 1 For the 3 term Sellmeier fit type, an alternative form for the chromatic dispersion coefficient is:

$$D(\lambda) = \frac{S_0}{4} \times \lambda \times \left(1 - \frac{\lambda_0^4}{\lambda^4} \right) \quad (\text{D.1})$$

NOTE 2 For the 2nd Order polynomial (quadratic), an alternative form for the chromatic dispersion coefficient is:

$$D(\lambda) = S_0 \times (\lambda - \lambda_0) \quad (\text{D.2})$$

D.3 Fitting procedure

For robust numerical fitting, the natural abscissa (wavelengths) should be converted to values with a reduced range by a change of coordinates before completing the least squares regression. After the regression, the fitting parameters must be converted back to the original wavelength scale before completing any of the derivatives.

A suitable implementation of least squares regression should be chosen to solve the fitting problem. The method should be stable towards noise and other errors introduced during the measurement of the group delay or dispersion data [1]¹. Depending on the source of the input data, equations for group delay or the derivative dispersion is use

Care should be taken to include a sufficient number of points in the fitting. When the fitting order and the number of points become comparable, the fitting will not yield accurate results.

If the fit is made to group delay data, chromatic dispersion data can be calculated from the dispersion equations in Table D.1, using the coefficients found from the fit. Extrapolation to wavelengths outside the fitting region should be used carefully, as the fits might have unphysical behaviour at points outside the region.

Dispersion slope can be calculated from the equations in Table D.2, using the coefficients found from the fit.

¹ Numbers in square brackets refer to the Bibliography.

Bibliography

- [1] PRESS, William H., TEUKOLSKY, Saul A., VETTERLING, William T., FLANNERY, Brian P., *Numerical Recipes – The Art of Scientific Computing*, Cambridge University Press, 2nd edition (1993).
-

SOMMAIRE

AVANT-PROPOS.....	32
1 Domaine d'application	34
2 Références normatives.....	35
3 Vue d'ensemble des méthodes	35
3.1 Méthode A, déphasage.....	35
3.2 Méthode B, temps de propagation de groupe spectral dans le domaine temporel.....	35
3.3 Méthode C, déphasage différentiel	36
4 Méthodes de mesure de référence.....	36
4.1 Fibres multimodales de catégorie A1 et des sous-catégories A4f, A4g et A4h	36
4.2 Fibres unimodales de classe B	36
5 Appareillage	36
5.1 Généralités.....	36
5.2 Composants optiques d'injection	36
5.3 Filtre de mode d'ordre supérieur (fibres unimodales)	37
5.4 Appareillage du positionnement de l'entrée	37
5.5 Appareillage du positionnement de la sortie	37
5.6 Equipement de calcul	37
6 Echantillonnage et échantillons soumis à essai	37
6.1 Longueur de l'échantillon à l'essai.....	37
6.2 Extrémité de l'échantillon à l'essai.....	37
6.3 Fibre de référence.....	37
7 Procédure.....	38
8 Calculs	38
8.1 Généralités.....	38
8.2 Fibres multimodales de catégorie A1 et des sous-catégories A4f, A4g, A4h et fibres unimodales des catégories B1.1, B1.3 et sous-catégories B6_a1 et B6_a2	38
8.3 Fibres unimodales de catégorie B1.2.....	39
8.4 Fibres unimodales de catégorie B2.....	39
8.5 Fibres unimodales des catégories B4 et B5	39
9 Résultats	40
9.1 Relever les informations suivantes pour chaque mesure:	40
9.2 Les informations suivantes doivent être fournies sur demande:	40
10 Informations à mentionner dans la spécification	40
Annexe A (normative) Exigences spécifiques à la méthode A, déphasage	41
Annexe B (normative) Exigences spécifiques à la méthode B, temps de propagation de groupe spectral dans le domaine temporel.....	47
Annexe C (normative) Exigences spécifiques à la méthode C, déphasage différentiel.....	51
Annexe D (normative) Modélisation de la dispersion chromatique	57
Bibliographie.....	60
Figure A.1 – Montage de mesure de dispersion chromatique, système à diodes laser multiples (exemple type)	42
Figure A.2 – Courbes typiques des temps de propagation et des dispersions.....	42

Figure A.3 – Montage de mesure de dispersion chromatique, système à diodes électroluminescentes (exemple type)	44
Figure B.1 – Schéma fonctionnel, système laser à fibre Raman	47
Figure B.2 – Schéma fonctionnel, système à diodes laser multiples	48
Figure C.1 – Montage de mesure de dispersion chromatique de phase différentielle, système à lasers multiples	52
Figure C.2 – Montage de mesure de dispersion chromatique de phase différentielle, système à diodes électroluminescentes	53
Figure C.3 – Montage de mesure de dispersion chromatique, phase différentielle par la méthode à double longueur d'onde	53
Figure C.4 – Montage de mesure de dispersion chromatique, phase différentielle par double démodulation.....	54
Tableau D.1 – Définition des types de modélisation et des coefficients de modélisation; équations de calcul du temps de propagation de groupe et du coefficient de dispersion	57
Tableau D.2 – Equations de pente	58
Tableau D.3 – Longueur d'onde de dispersion nulle et équations de pente	58

COMMISSION ÉLECTROTECHNIQUE INTERNATIONALE

FIBRES OPTIQUES –

Partie 1-42: Méthodes de mesure et procédures d'essai – Dispersion chromatique

AVANT-PROPOS

- 1) La Commission Electrotechnique Internationale (CEI) est une organisation mondiale de normalisation composée de l'ensemble des comités électrotechniques nationaux (Comités nationaux de la CEI). La CEI a pour objet de favoriser la coopération internationale pour toutes les questions de normalisation dans les domaines de l'électricité et de l'électronique. A cet effet, la CEI – entre autres activités – publie des Normes internationales, des Spécifications techniques, des Rapports techniques, des Spécifications accessibles au public (PAS) et des Guides (ci-après dénommés "Publication(s) de la CEI"). Leur élaboration est confiée à des comités d'études, aux travaux desquels tout Comité national intéressé par le sujet traité peut participer. Les organisations internationales, gouvernementales et non gouvernementales, en liaison avec la CEI, participent également aux travaux. La CEI collabore étroitement avec l'Organisation Internationale de Normalisation (ISO), selon des conditions fixées par accord entre les deux organisations.
- 2) Les décisions ou accords officiels de la CEI concernant les questions techniques représentent, dans la mesure du possible, un accord international sur les sujets étudiés, étant donné que les Comités nationaux de la CEI intéressés sont représentés dans chaque comité d'études.
- 3) Les Publications de la CEI se présentent sous la forme de recommandations internationales et sont agréées comme telles par les Comités nationaux de la CEI. Tous les efforts raisonnables sont entrepris afin que la CEI s'assure de l'exactitude du contenu technique de ses publications; la CEI ne peut pas être tenue responsable de l'éventuelle mauvaise utilisation ou interprétation qui en est faite par un quelconque utilisateur final.
- 4) Dans le but d'encourager l'uniformité internationale, les Comités nationaux de la CEI s'engagent, dans toute la mesure possible, à appliquer de façon transparente les Publications de la CEI dans leurs publications nationales et régionales. Toutes divergences entre toutes Publications de la CEI et toutes publications nationales ou régionales correspondantes doivent être indiquées en termes clairs dans ces dernières.
- 5) La CEI elle-même ne fournit aucune attestation de conformité. Des organismes de certification indépendants fournissent des services d'évaluation de conformité et, dans certains secteurs, accèdent aux marques de conformité de la CEI. La CEI n'est responsable d'aucun des services effectués par les organismes de certification indépendants.
- 6) Tous les utilisateurs doivent s'assurer qu'ils sont en possession de la dernière édition de cette publication.
- 7) Aucune responsabilité ne doit être imputée à la CEI, à ses administrateurs, employés, auxiliaires ou mandataires, y compris ses experts particuliers et les membres de ses comités d'études et des Comités nationaux de la CEI, pour tout préjudice causé en cas de dommages corporels et matériels, ou de tout autre dommage de quelque nature que ce soit, directe ou indirecte, ou pour supporter les coûts (y compris les frais de justice) et les dépenses découlant de la publication ou de l'utilisation de cette Publication de la CEI ou de toute autre Publication de la CEI, ou au crédit qui lui est accordé.
- 8) L'attention est attirée sur les références normatives citées dans cette publication. L'utilisation de publications référencées est obligatoire pour une application correcte de la présente publication.
- 9) L'attention est attirée sur le fait que certains des éléments de la présente Publication de la CEI peuvent faire l'objet de droits de brevet. La CEI ne saurait être tenue pour responsable de ne pas avoir identifié de tels droits de brevets et de ne pas avoir signalé leur existence.

La Norme internationale CEI 60793-1-42 a été établie par le sous-comité 86A: Fibres et câbles, du comité d'études 86 de la CEI: Fibres optiques.

Cette troisième édition annule et remplace la deuxième édition parue en 2007, et constitue une révision technique.

Cette édition inclut les modifications techniques majeures suivantes par rapport à l'édition précédente:

- a) Ajout des fibres unimodales de catégorie B6;
- b) Suppression de la méthode d'essai D (interférométrie).

Il convient que la présente norme soit lue conjointement avec la CEI 60793-1-1.

Le texte de cette norme est issu des documents suivants:

CDV	Rapport de vote
86A/1419/CDV	86A/1443/RVC

Le rapport de vote indiqué dans le tableau ci-dessus donne toute information sur le vote ayant abouti à l'approbation de cette norme.

Cette publication a été rédigée selon les Directives ISO/CEI, Partie 2.

Une liste de toutes les parties de la série CEI 60793, publiées sous le titre général *Fibres optiques*, peut être consultée sur le site web de la CEI.

Le comité a décidé que le contenu de cette publication ne sera pas modifié avant la date de stabilité indiquée sur le site web de la CEI sous "<http://webstore.iec.ch>" dans les données relatives à la publication recherchée. A cette date, la publication sera

- reconduite,
- supprimée,
- remplacée par une édition révisée, ou
- amendée.

IMPORTANT – Le logo "colour inside" qui se trouve sur la page de couverture de cette publication indique qu'elle contient des couleurs qui sont considérées comme utiles à une bonne compréhension de son contenu. Les utilisateurs devraient, par conséquent, imprimer cette publication en utilisant une imprimante couleur.

FIBRES OPTIQUES –

Partie 1-42: Méthodes de mesure et procédures d'essai – Dispersion chromatique

1 Domaine d'application

La présente partie de la CEI 60793 établit des exigences uniformes pour la mesure de la dispersion chromatique des fibres optiques, contribuant ainsi au contrôle des fibres et des câbles dans les relations commerciales.

La dispersion chromatique varie en fonction de la longueur d'onde. Certaines méthodes et techniques mesurent le temps de propagation de groupe en fonction de la longueur d'onde, et la dispersion chromatique et la pente de la dispersion sont déduites des dérivées (par rapport à la longueur d'onde) de ces données. Cette différenciation est plus souvent réalisée après représentation des données par un modèle mathématique. D'autres techniques peuvent permettre la mesure directe (de la dispersion chromatique) à chacune des longueurs d'ondes exigées.

Pour certaines (sous-)catégories de fibres, les attributs de la dispersion chromatique sont spécifiés avec les paramètres d'un modèle spécifique. Dans ces cas, la recommandation ou la norme correspondante définit le modèle approprié pour la définition des paramètres spécifiés. Pour les autres (sous-)catégories de fibres, la dispersion est spécifiée pour se situer dans une plage donnée pour un ou plusieurs intervalles de longueurs d'ondes spécifiés. Dans ce dernier cas, des mesures directes peuvent être réalisées aux extrêmes de longueurs d'ondes ou un modèle de représentation peut être utilisé, soit pour permettre des méthodes ou des techniques de mesure du temps de propagation de groupe, soit pour permettre le stockage d'un ensemble réduit de paramètres pouvant être utilisés pour calculer la dispersion par interpolation pour des longueurs d'ondes particulières qui peuvent ne pas avoir de valeurs de mesure directe réelles.

L'Annexe D donne une description générale de la modélisation de la dispersion chromatique et présente un certain nombre d'équations de modélisation pouvant être utilisées avec toutes les méthodes de mesure ou toutes les catégories de fibres.

La présente norme donne trois méthodes relatives à la mesure de la dispersion chromatique:

- méthode A: déphasage;
- méthode B: temps de propagation de groupe spectral dans le domaine temporel;
- méthode C: déphasage différentiel.

Les méthodes A, B et C s'appliquent à la mesure de la dispersion chromatique des fibres suivantes définies dans la CEI 60793-2, dans la plage de longueurs d'ondes spécifiée:

- fibres multimodales à gradient d'indice de catégorie A1;
- fibres multimodales des sous-catégories A4f, A4g et A4h;
- fibres unimodales de catégorie B1, B2, B4, B5 et sous-catégories B6_a1 et B6_a2.

Ces méthodes peuvent être appliquées à des mesures de dispersion chromatique effectuées en laboratoire, en usine et sur site, et la plage de longueurs d'ondes des mesures peut être adaptée aux besoins. Les mesures sont faites à la température indiquée au Tableau 1 de la CEI 60793-1-1:2008, Plage standard des conditions atmosphériques.¹

¹ Titre du Tableau 1 recopié de la deuxième édition:2002.

Ces méthodes sont appropriées à des longueurs de fibres ou de câbles supérieures à 1 km. Elles peuvent aussi être appliquées à des longueurs plus courtes, mais précision et répétabilité peuvent être compromises.

Les informations communes à toutes ces méthodes sont contenues dans les Articles 1 à 8 et les informations propres à chaque méthode individuelle apparaissent respectivement dans les Annexes A, B et C.

2 Références normatives

Les documents suivants sont cités en référence de manière normative, en intégralité ou en partie, dans le présent document et sont indispensables pour son application. Pour les références datées, seule l'édition citée s'applique. Pour les références non datées, la dernière édition du document de référence s'applique (y compris les éventuels amendements).

IEC 60793-1-1, *Optical fibres – Part 1-1: Measurement methods and test procedures – General and guidance*
(disponible uniquement en anglais)

CEI 60793-1-41, *Fibres optiques – Partie 1-41: Méthodes de mesure et procédures d'essai – Largeur de bande*

CEI 60793-2, *Fibres optiques – Partie 2: Spécifications de produits – Généralités*

3 Vue d'ensemble des méthodes

3.1 Méthode A, déphasage

Cette méthode décrit une procédure permettant de déterminer la dispersion chromatique des catégories B1, B2, B4, B5 et sous-catégories B6_a1 et B6_a2 des fibres unimodales de classe B, des fibres multimodales à gradient d'indice de catégorie A1 et des fibres des sous-catégories A4f, A4g et A4h, dans une plage de longueurs d'ondes spécifiée, à l'aide des déphasages relatifs entre des sources optiques de différentes longueurs d'ondes modulées sinusoïdalement. Ces sources sont généralement des diodes laser ou des diodes électroluminescentes filtrées ou des sources à émissions spontanées amplifiées (ESA) filtrées. Les déphasages relatifs sont convertis en temps de propagation relatifs, et les données résultantes en temps de propagation de groupe spectral sont ensuite représentées par une équation définie pour chaque (sous-)catégorie de fibre.

3.2 Méthode B, temps de propagation de groupe spectral dans le domaine temporel

Cette méthode décrit une procédure permettant de déterminer la dispersion chromatique des catégories B1, B2, B4, B5 et sous-catégories B6_a1 et B6_a2 des fibres unimodales de classe B, des fibres multimodales à gradient d'indice de catégorie A1, et des fibres des sous-catégories A4f, A4g et A4h, à l'aide d'une source laser Raman Nd:YAG/fibre ou de diodes laser multiples fonctionnant à plusieurs longueurs d'ondes, à la fois plus grandes et plus petites que la longueur d'onde typique de dispersion nulle.

Dans cette méthode, on mesure, à plusieurs longueurs d'ondes, la différence du temps de propagation des impulsions optiques à travers une longueur de fibre connue. Un ensemble de mesures de référence doit aussi être effectué sur une fibre de référence courte et les résultats sont soustraits des valeurs mesurées sur la fibre à l'essai, pour obtenir le temps de propagation de groupe spectral relatif. Les valeurs résultantes du temps de propagation de groupe spectral sont ensuite modélisées par rapport à une équation définie pour chaque (sous-)catégorie de fibre.

3.3 Méthode C, déphasage différentiel

Cette méthode décrit une procédure permettant de déterminer la dispersion chromatique des catégories B1, B2, B4, B5 et sous-catégories B6_a1 et B6_a2 des fibres unimodales de classe B, des fibres multimodales à gradient d'indice de catégorie A1, et des fibres des sous-catégories A4f, A4g et A4h. Le coefficient de dispersion à une longueur d'onde particulière est déterminé à partir du temps de propagation de groupe différentiel entre deux longueurs d'ondes espacées par un intervalle très faible.

Dans cette procédure, une source lumineuse modulée est couplée dans la fibre soumise à essai, et la phase de la lumière sortant de la fibre à une première longueur d'onde est comparée à la phase de la lumière sortant de la fibre à une deuxième longueur d'onde. La dispersion chromatique moyenne sur tout l'intervalle séparant les deux longueurs d'ondes est déterminée à partir du déphasage différentiel, de l'intervalle entre les longueurs d'ondes et de la longueur de la fibre.

Le coefficient de dispersion chromatique à une longueur d'onde intermédiaire entre les deux longueurs d'ondes d'essai est supposé égal à la dispersion chromatique moyenne sur tout l'intervalle séparant les deux longueurs d'ondes. Les données de la dispersion chromatique résultantes sont ensuite modélisées par rapport à une équation définie pour chaque (sous-) catégorie de fibre.

4 Méthodes de mesure de référence

4.1 Fibres multimodales de catégorie A1 et des sous-catégories A4f, A4g et A4h

Pour les fibres multimodales de catégorie A1 et des sous-catégories A4f, A4g et A4h, la méthode B, temps de propagation de groupe spectral dans le domaine temporel, est la méthode de mesure de référence, qui doit être celle utilisée pour régler les contestations.

4.2 Fibres unimodales de classe B

Pour les catégories B1, B2, B4, B5 et sous-catégories B6_a1 et B6_a2 de fibres unimodales de classe B, la méthode A, déphasage, est la méthode de mesure de référence. Si la méthode A n'est pas applicable, la méthode C, déphasage différentiel, peut, elle aussi, être utilisée pour régler les contestations.

5 Appareillage

5.1 Généralités

L'appareillage suivant est commun à toutes les méthodes de mesure. Les Annexes A, B et C comprennent des dessins et des exigences sur les autres équipements qui s'appliquent à chacune des méthodes A, B et C, respectivement.

5.2 Composants optiques d'injection

La sortie des sources de signaux doit être couplée à la fibre soumise à essai ou à la fibre de référence, afin que la longueur du trajet physique relatif à chaque source reste constante pendant la mesure. (Cette exigence assure que les phases relatives des sources ne varient pas en raison d'une variation des longueurs des trajets.) Des dispositifs appropriés peuvent comporter des commutateurs optiques unimodaux à voies multiples ou des connecteurs optiques démontables.

Pour la mesure des fibres multimodales de catégories A1, et sous-catégories A4f, A4g et A4h, les conditions d'injection doivent être conformes à la méthode A, réponse impulsionnelle, de la CEI 60793-1-41.

5.3 Filtre de mode d'ordre supérieur (fibres unimodales)

Pour la mesure des fibres unimodales, utiliser une méthode destinée à empêcher la propagation des modes d'ordre supérieur dans la plage de longueurs d'ondes concernée. Un exemple de filtre de mode d'ordre supérieur consiste en une simple boucle ayant un rayon suffisamment petit pour déplacer la longueur d'onde de coupure en dessous de la valeur minimale de la longueur d'onde concernée.

5.4 Appareillage du positionnement de l'entrée

Prévoir un moyen permettant de coupler l'entrée de l'échantillon en essai avec la source lumineuse. Parmi les exemples figure l'utilisation d'étages de réglage micrométrique en x-y-z, ou de méthodes de couplage mécanique, comme par exemple des connecteurs, des épissures à vide, des épissures à trois tiges, etc. La position de la fibre doit rester stable pendant toute la durée de l'essai.

5.5 Appareillage du positionnement de la sortie

Prévoir un moyen permettant de positionner l'extrémité de sortie de l'échantillon en essai, de sorte que la puissance optique guidée soit couplée au détecteur du système. Un tel dispositif de couplage peut inclure l'utilisation de lentilles, ou peut être constitué par une liaison mécanique à la fibre amorce d'un détecteur.

5.6 Equipement de calcul

Il est possible d'utiliser un calculateur numérique pour le contrôle des équipements, l'acquisition des données et l'évaluation numérique des données.

6 Echantillonnage et échantillons soumis à essai

6.1 Longueur de l'échantillon à l'essai

Les méthodes A, B et C exigent que l'échantillon à l'essai soit une fibre ou un câble de longueur connue et suffisante pour permettre une précision adéquate de la mesure de la phase. Une longueur minimale typique est de 1 km. Dans la mesure où les fibres des sous-catégories A4f, A4g et A4h ont des pertes plus élevées que les fibres de catégorie A1, pour ces fibres de catégorie A4, une longueur minimale de 100 m est acceptable.

NOTE La reproductibilité est affectée lorsqu'une longueur de mesure plus courte est utilisée. Des longueurs plus importantes donnent généralement une meilleure reproductibilité.

6.2 Extrémité de l'échantillon à l'essai

Préparer des faces d'extrémité planes, perpendiculaires à l'axe de la fibre, aux extrémités d'entrée et de sortie de chaque échantillon.

6.3 Fibre de référence

Une fibre unimodale avec des caractéristiques de dispersion connues doit être utilisée pour compenser les retards chromatiques dans les sources optiques et dans les autres composants de l'équipement. La longueur de cette fibre doit être inférieure ou égale à 0,2 % de la longueur de l'échantillon à l'essai.

Dans le cas des fibres de catégories A4f, A4g et A4h, la longueur de la fibre de référence doit être inférieure ou égale à 2 m. Si cette longueur est supérieure à 0,2 % de la longueur de l'échantillon en essai, la dispersion chromatique des fibres de référence doit être prise en compte en soustrayant sa valeur de dispersion chromatique des résultats mesurés sur la longueur de l'échantillon à l'essai.

La température de l'échantillon à l'essai doit être stable pendant la mesure, dans des limites de tolérance comprises entre 0,1 °C et 1 °C, selon l'évolution de cette stabilité dans le temps.

7 Procédure

Voir les Annexes A, B et C concernant les procédures des méthodes A, B et C, respectivement.

Des mesures sur fibre de référence sont exigées pour toutes les méthodes. Les données de la fibre de référence peuvent être stockées pour utilisation dans les mesures sur les échantillons à l'essai. Il convient de répéter la procédure de mesure sur la fibre de référence lors des modifications sur l'optique ou l'électronique d'émission ou de réception.

8 Calculs

8.1 Généralités

Le calcul du temps de propagation relatif approprié à chaque méthode est donné aux Annexes A, B et C, respectivement.

La suite de cet article décrit la modélisation numérique susceptible d'être appliquée pour toutes les méthodes aux données du temps de propagation de groupe spectral normalisées par la longueur, $\tau(\lambda)$, voir aussi l'Annexe D.

λ	est la longueur d'onde	(nm)
$\tau(\lambda)$	est la modélisation des données de temps de propagation de groupe spectral normalisé	(ps/km)
$D(\lambda)$	est le coefficient de dispersion chromatique, avec $D(\lambda) = d\tau(\lambda)/d\lambda$	(ps/(nm × km))
λ_0	est la longueur d'onde de dispersion nulle	(nm)
$\tau(\lambda_0)$	est le temps de propagation relatif minimal à la longueur d'onde de dispersion nulle	(ps/km)
$S(\lambda)$	est la pente de dispersion, avec $S(\lambda) = dD(\lambda)/d\lambda$.	(ps/(nm ² × km))
S_0	est la pente de dispersion à la longueur d'onde de dispersion nulle	(ps/(nm ² × km))

NOTE 1 $\tau(\lambda)$ et $D(\lambda)$ peuvent être soit des mesures directes soit le résultat de la modélisation des mesures directes à une fonction spécifiée.

NOTE 2 Lorsque, par exemple, une fonction de modélisation des données est spécifiée, les paramètres de l'expression sur la partie droite de l'équation sont déterminés de manière à minimiser la somme des erreurs au carré concernant les mesures directes. Une fois déterminée, cette expression est utilisée pour déterminer les valeurs des autres paramètres.

NOTE 3 Les paramètres de modélisation sont donnés avec les variables A, B, C, D, ou E, voir aussi l'Annexe D.

8.2 Fibres multimodales de catégorie A1 et des sous-catégories A4f, A4g, A4h et fibres unimodales des catégories B1.1, B1.3 et sous-catégories B6_a1 et B6_a2

Ce qui suit s'applique aux fibres multimodales de catégorie A1 et des sous-catégories A4f, A4g et A4h, et aux fibres unimodales des catégories B1.1 et B1.3 et sous-catégories B6_a1 et B6_a2, autour de 1 310 nm.

La modélisation des données de temps de propagation ou de dispersion doit se faire avec un type de modélisation de Sellmeier à trois termes, voir Annexe D. Les calculs du coefficient de dispersion chromatique $D(\lambda)$, de la longueur d'onde de dispersion nulle λ_0 et de la pente de dispersion à la longueur d'onde de dispersion nulle S_0 sont présentés à l'Annexe D.

Dans la zone de 1 550 nm uniquement, la dispersion chromatique peut être approchée comme une fonction linéaire avec la longueur d'onde (type de modélisation quadratique par rapport aux données de temps de propagation), voir Annexe D.

8.3 Fibres unimodales de catégorie B1.2

Ce qui suit s'applique aux fibres unimodales de catégorie B1.2.

Selon les exigences de précision, pour des intervalles de longueurs d'ondes pouvant atteindre 35 nm, le type de modélisation quadratique est possible dans la zone de 1 550 nm. Il convient de ne pas utiliser cette équation modélisée pour prédire une dispersion chromatique à des longueurs d'ondes en dehors de la plage utilisée pour la modélisation. Pour des intervalles de longueurs d'ondes plus longs, un type de modélisation de Sellmeier à cinq termes ou un type de modélisation polynomiale du 4^{ème} ordre est recommandé. Il n'est pas destiné à être utilisé dans la zone de 1 310 nm.

Les calculs du coefficient de dispersion chromatique $D(\lambda)$ et de la pente de dispersion $S(\lambda)$ sont présentés à l'Annexe D.

8.4 Fibres unimodales de catégorie B2

Ce qui suit s'applique aux fibres unimodales de catégorie B2.

Selon les exigences de précision, pour des intervalles de longueurs d'ondes pouvant atteindre 35 nm, un type de modélisation quadratique est autorisé dans la zone de 1 550 m. Il convient de ne pas utiliser l'équation modélisée pour prédire une dispersion chromatique à des longueurs d'ondes en dehors de la plage utilisée pour la modélisation.

Pour des intervalles de longueurs d'ondes plus longs, un type de modélisation de Sellmeier à cinq termes ou un type de modélisation polynomiale de 4^{ème} ordre est recommandé. Il n'est pas destiné à être utilisé dans la zone de 1 310 nm.

Le coefficient de dispersion chromatique $D(\lambda)$ correspondant, la longueur d'onde de dispersion nulle λ_0 et la pente de dispersion à la longueur d'onde de dispersion nulle S_0 sont présentés à l'Annexe D.

8.5 Fibres unimodales des catégories B4 et B5

Ce qui suit s'applique aux fibres unimodales des catégories B4 et B5.

Pour une utilisation normale sur des intervalles de longueurs d'ondes plus longs (> 35 nm), un type de modélisation de Sellmeier à cinq termes ou un type de modélisation polynomiale de 4^{ème} ordre est recommandé. Il convient de ne pas utiliser l'équation modélisée pour prédire une dispersion chromatique à des longueurs d'ondes en dehors de la plage utilisée pour la modélisation.

Pour les fibres de catégorie B4 uniquement, le type de modélisation quadratique peut être utilisé dans le cas d'un intervalle de longueur d'onde court (≤ 35 nm). Il convient de ne pas utiliser le type de modélisation pour prédire une dispersion chromatique à des longueurs d'ondes en dehors de la plage utilisée pour la modélisation.

Le coefficient de dispersion chromatique $D(\lambda)$ correspondant et la pente de dispersion $S(\lambda)$ sont présentés à l'Annexe D.

9 Résultats

9.1 Relever les informations suivantes pour chaque mesure:

- date et titre de la mesure;
- équation(s) utilisée(s) pour calculer les résultats;
- identification de l'échantillon à l'essai;
- longueur de l'échantillon à l'essai utilisée comme longueur normalisée;
- résultats de mesure tels qu'exigés par la spécification particulière.

NOTE Exemples d'informations susceptibles d'être exigées par la spécification particulière:

- a) les valeurs du coefficient de dispersion mesurées à certaines longueurs d'ondes spécifiées;
- b) la valeur minimale et/ou maximale de dispersion sur une plage spécifiée de longueurs d'ondes;
- c) la longueur d'onde de dispersion nulle et la pente de dispersion à cette longueur d'onde.

9.2 Les informations suivantes doivent être fournies sur demande:

- méthode utilisée: A, B ou C;
- description de la ou des sources optiques et des longueurs d'ondes de mesure utilisées;
- fréquence de modulation (si applicable);
- description du détecteur de signaux, du dispositif électronique de détection des signaux et du dispositif de retard;
- description des méthodes de calculs utilisées;
- date du dernier étalonnage de l'équipement de mesure.

10 Informations à mentionner dans la spécification

La spécification particulière doit préciser les informations suivantes:

- (sous-)catégorie de fibre à mesurer;
- critères de défaillance ou d'acceptation;
- informations à relever;
- toute divergence applicable par rapport à la procédure.

Annexe A (normative)

Exigences spécifiques à la méthode A, déphasage

A.1 Appareillage

A.1.1 Source lumineuse

La source lumineuse doit être stable en position, intensité et longueur d'onde sur une période de temps suffisante pour effectuer la procédure de mesure. Des diodes laser multiples (voir par exemple la Figure A.1), des diodes laser réglables en longueur d'onde, des diodes électroluminescentes (voir par exemple la Figure A.3) ou des sources à large bande (par exemple un laser Nd:YAG avec une fibre Raman ou une source d'ESA) peuvent être utilisées, en fonction de la plage de longueurs d'ondes de mesure.

Les longueurs d'ondes injectées dans la fibre à l'essai peuvent être sélectionnées à l'aide d'un commutateur optique, d'un monochromateur, de dispositifs dispersifs, de filtres optiques, de coupleurs optiques ou en accordant le laser, selon le type de source lumineuse et d'appareillage de mesure. Le sélecteur de longueur d'onde peut être utilisé à l'entrée ou à la sortie de la fibre à l'essai.

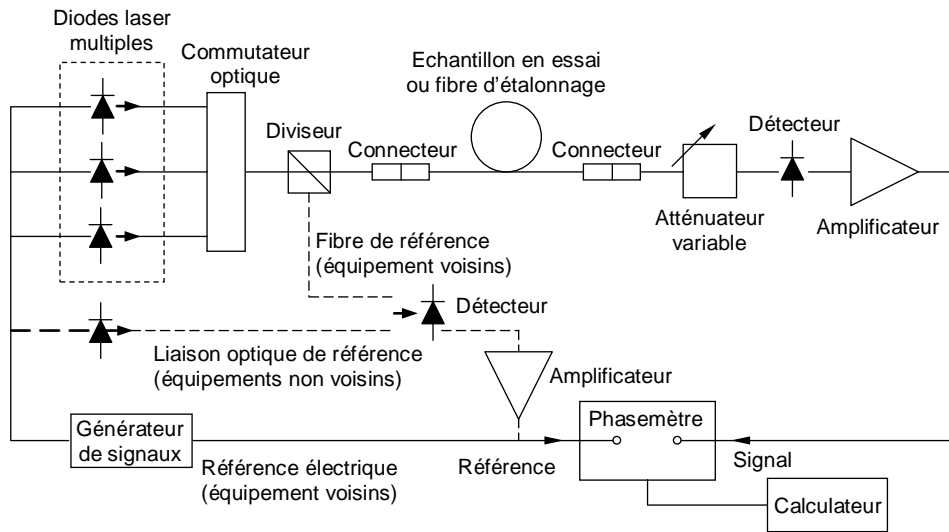
Pour les fibres de catégorie B1 mesurées avec un système à trois longueurs d'ondes dans lequel les longueurs d'ondes de la source encadrent la longueur d'onde de dispersion nulle, λ_0 (voir Figure A.2), la tolérance ou l'instabilité, $\delta\lambda$, dans la longueur d'onde centrale, conduira à des erreurs maximales de $3\delta\lambda$ lors de la mesure de λ_0 . Les erreurs maximales dans la pente de dispersion, S_0 , sont directement proportionnelles à $\delta\lambda/\Delta\lambda$ (où $\Delta\lambda$ est l'espacement des longueurs d'ondes de la source) et seront approximativement égales à $0,012 \text{ ps}/(\text{nm}^2 \times \text{km})$ pour $\delta\lambda/\Delta\lambda = 1 \text{ nm}/30 \text{ nm}$.

Des erreurs inférieures aux erreurs maximales mentionnées ci-dessus peuvent être obtenues en choisissant des sources optiques dont la longueur d'onde moyenne est voisine de la valeur λ_0 attendue de l'échantillon à l'essai et/ou en utilisant plus de trois longueurs d'ondes.

Lorsque des sources laser sont utilisées, généralement une diode laser à mode longitudinal unique, à température contrôlée, avec stabilisation de puissance de sortie (par exemple rétroaction par photodiode PIN) suffit. Un laser supplémentaire peut s'avérer nécessaire pour la liaison de référence des équipements de mesure sur site (voir A.1.4).

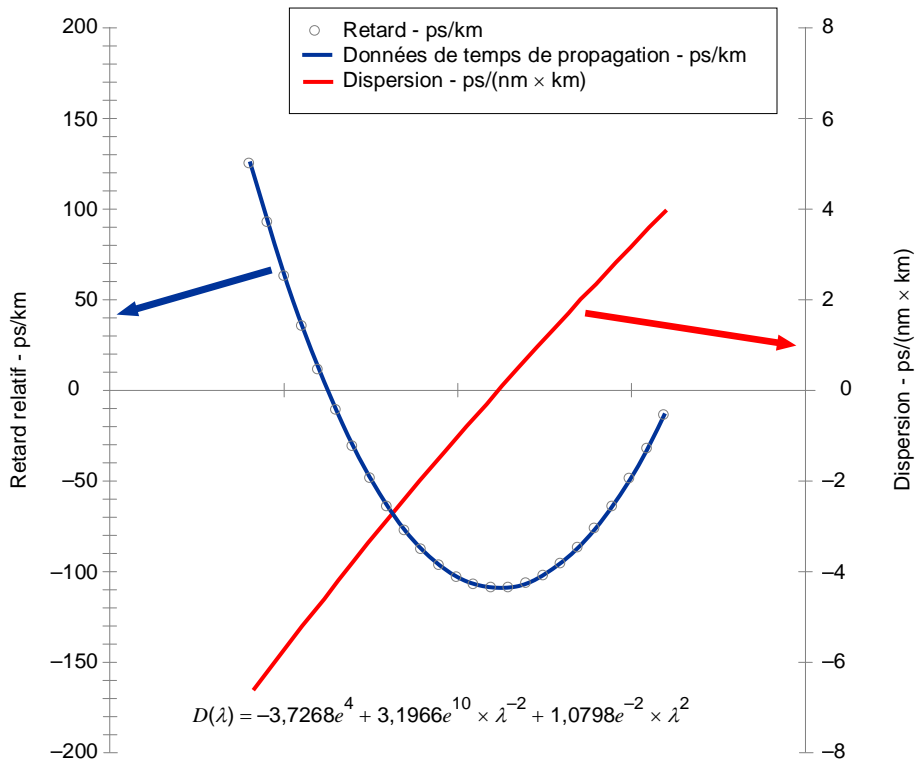
A.1.2 Largeur spectrale

La largeur spectrale de la source, telle que mesurée dans l'échantillon à l'essai, doit être inférieure ou égale à 10 nm en des points à 50 % de puissance (largeur d'impulsion à mi-hauteur (LMH)).



IEC 039/13

Figure A.1 – Montage de mesure de dispersion chromatique, système à diodes laser multiples (exemple type)



IEC 040/13

Figure A.2 – Courbes typiques des temps de propagation et des dispersions

A.1.3 Modulateur

Le modulateur doit moduler les sources de lumière en amplitude afin de générer une forme d'onde à composante de Fourier dominante unique. Par exemple, une modulation de signal

sinusoïdal, trapézoïdal ou carré doit être acceptable. La stabilité de la fréquence doit être au moins égale à une partie pour 10^6 .

Il est indispensable d'éviter les ambiguïtés de $360(n)$ degrés, où n est un nombre entier, lors de la mesure du déphasage. Cela peut être effectué en utilisant des moyens tels que la surveillance des variations de phase de 360° ou en choisissant une fréquence de modulation suffisamment basse pour limiter les déphasages relatifs à des valeurs inférieures à 360° . Déterminer la fréquence maximale pour un déphasage à 360° pour les fibres de catégorie B1 comme suit:

$$f_{\max} = \frac{8 \times 10^6}{S_0 \times L} \left[\left(\lambda_i - \frac{\lambda_0^2}{\lambda_i} \right)^2 - \left(\lambda_j - \frac{\lambda_0^2}{\lambda_j} \right)^2 \right]^{-1} \quad (\text{A.1})$$

où

- f_{\max} est la fréquence maximale pour un déphasage à 360° pour les fibres de catégorie B1 (MHz);
- L est la longueur maximale (km) attendue de l'échantillon à l'essai;
- S_0 est la pente de dispersion typique attendue à λ_0 (ps/nm² × km);
- λ_0 est la longueur d'onde de dispersion nulle typique attendue (nm);
- λ_i et λ_j encadrent la paire de longueurs d'ondes qui est utilisée dans la mesure et qui minimise la valeur de f_{\max} .

La fréquence du modulateur doit être suffisamment élevée pour assurer une précision de mesure convenable.

L'exemple ci-après illustre l'influence des paramètres du système d'essai sur la précision: pour les fibres de catégorie B1 et pour un système à trois longueurs d'ondes, dans lequel les longueurs d'ondes de la source sont séparées de $\Delta\lambda$, les erreurs maximales seront égales à 0,001 2 ps/nm² × km pour S_0 , et égales à 0,4 nm pour λ_0 , si la fréquence minimale du modulateur, f_{\min} (MHz) est donnée par la relation suivante:

$$f_{\min} = \frac{\Delta\phi \times 10^7}{L \times (\Delta\lambda)^2} \quad (\text{A.2})$$

où

- f_{\min} est la fréquence minimale du modulateur (MHz);
- $\Delta\phi$ est l'instabilité des phases de l'ensemble de l'équipement de mesure (degrés);
- L est la longueur minimale (km) attendue de l'échantillon à l'essai;
- $\Delta\lambda$ est l'intervalle moyen des longueurs d'ondes entre sources adjacentes (nm).

Donc, pour $\Delta\phi = 0,1^\circ$, $L = 10$ km, et $\Delta\lambda = 32$ nm, une fréquence minimale d'environ 100 MHz est exigée.

NOTE 1 L'Équation (A.2) ci-dessus a été développée en la résolvant à plusieurs reprises pour λ_0 et S_0 dans l'expression du retard temporel de l'Équation (2) de l'Article 6, avec diverses valeurs d'intervalles de longueurs d'ondes et d'instabilité de phase.

NOTE 2 Des erreurs inférieures aux erreurs maximales mentionnées ci-dessus peuvent être obtenues en sélectionnant des sources dont la longueur d'onde moyenne est proche de la valeur de λ_0 attendue pour l'échantillon à l'essai et/ou en utilisant plus de trois longueurs d'ondes.

Il est possible de régler la modulation de phase au niveau de chaque source lumineuse, afin de faciliter l'étalonnage du montage de mesure.

A.1.4 Détecteur de signaux et dispositif électronique de détection des signaux

Utiliser un détecteur optique sensible sur toute la plage de longueurs d'ondes à mesurer avec un phasemètre. Un amplificateur peut être utilisé pour augmenter la sensibilité du système détecteur. Un système type pourrait comporter une photodiode PIN, un amplificateur à transistor à effet de champ (FET) et un voltmètre vectoriel.

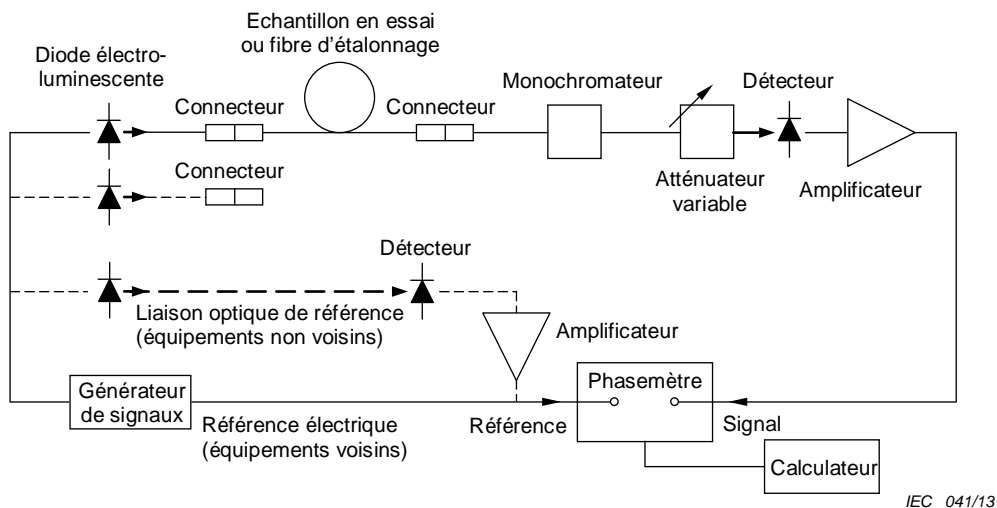
Le détecteur, l'amplificateur et le phasemètre ne doivent répondre qu'à la composante fondamentale de Fourier du signal modulant et ils doivent introduire un déphasage du signal constant sur la plage des puissances optiques reçues. La plage des puissances reçues peut être contrôlée par un atténuateur optique variable.

A.1.5 Signal de référence

Un signal de référence, dont la composante de Fourier dominante est identique à celle du signal de modulation, est fourni au phasemètre, qui servira à mesurer les phases des sources de signaux. Il convient que la phase du signal de référence soit verrouillée par rapport à la phase du signal de modulation et qu'elle soit généralement déduite du signal de modulation.

Exemples de configurations de signaux de référence (pour les exemples a), b) et c), se reporter aux Figures A.1 et A.3):

- a) lorsque les sources de signaux et le détecteur sont voisins, comme c'est le cas lors d'un essai en laboratoire ou lors d'un étalonnage, il est possible d'utiliser une connexion électrique entre le générateur de signaux et la borne de référence du phasemètre;
- b) pour ce qui concerne les équipements voisins, il est également possible d'utiliser un dérivateur optique, installé avant l'échantillon à l'essai, et un détecteur;
- c) pour ce qui concerne les essais sur site, relatifs aux câbles optiques (sources et détecteur non voisins), il est possible d'utiliser une liaison optique, comprenant, de façon typique, une source lumineuse modulée, une fibre et un détecteur similaires à ceux utilisés pour l'échantillon à l'essai;
- d) un signal de référence, relatif aux essais effectués sur site, peut être également transmis sur la fibre à l'essai en utilisant un multiplexage en longueur d'onde.



IEC 041/13

Figure A.3 – Montage de mesure de dispersion chromatique, système à diodes électroluminescentes (exemple type)

A.2 Procédure

A.2.1 Etalonnage

Insérer la fibre de référence (6.3) dans l'appareillage de mesure, et générer un signal de référence (A.1.5). Mesurer et enregistrer la phase, $\phi_{in}(\lambda_i)$, pour chaque source de signal.

En variante, si les phases des sources de signaux sont réglables, les phases de toutes les sources de signaux doivent alors être égalisées, la fibre de référence étant en place. Effectuer alors les mesures relatives à l'échantillon à l'essai, tel que décrit en A.2.2. Dans ce cas, $\phi_{in}(\lambda_i) = 0$ pour les calculs de A.3.1.

A.2.2 Mesures relatives à l'échantillon à l'essai

Insérer l'échantillon à l'essai dans l'appareillage de mesure, et générer un signal de référence (voir A.1.5). Mesurer et enregistrer la phase, $\phi_{out}(\lambda_i)$, de chaque source de signal.

NOTE Effectuer toutes les mesures concernant l'échantillon à l'essai et l'étalonnage ou l'égalisation avec un niveau de puissance optique à l'entrée du détecteur ajusté à une plage de valeurs qui minimise les déphasages en fonction des niveaux dans le détecteur et dans le dispositif électronique de détection.

A.3 Calculs

A.3.1 Soustraire la phase d'entrée mesurée à chaque longueur d'onde de la phase de sortie à cette longueur d'onde. Le temps de propagation de groupe relatif pour tout λ_i est donné par la relation suivante:

$$\tau(\lambda_i) = [\phi_{out}(\lambda_i) - \phi_{in}(\lambda_i)] \times \frac{10^6}{360 \times f \times L} \quad (A3)$$

où

$\tau(\lambda_i)$ est le temps de propagation de groupe relatif (ps/km);

$\phi_{out}(\lambda_i)$ a été mesurée en A.2.2 (degrés);

$\phi_{in}(\lambda_i)$ a été mesurée en A.2.1 (degrés);

f (MHz) est la fréquence de l'onde de modulation;

L (km) est la longueur de l'échantillon à l'essai moins la longueur de l'échantillon d'étalonnage.

A.3.2 A l'aide des données de temps de propagation fournies en A.3.1, calculer la meilleure modélisation par rapport à l'une des équations du temps de propagation indiquées à l'Article 8.

A.3.3 En utilisant les valeurs les mieux modélisées des coefficients appropriés indiqués à l'Article 8, calculer la dispersion, $D(\lambda)$, ou les autres paramètres, selon les exigences de la spécification particulière. Se reporter à la Figure A2 qui illustre un exemple de données du temps de propagation, $\tau(\lambda)$, et de la dispersion calculée, $D(\lambda)$.

A.3.4 La dispersion peut être spécifiée par la longueur d'onde de dispersion nulle, λ_0 , et par la pente, S_0 , et/ou en spécifiant le coefficient de dispersion chromatique à une ou plusieurs longueurs d'ondes. Dans certains cas, les paramètres de longueur d'onde et de pente de dispersion nulle ne sont utilisés que pour calculer le coefficient de dispersion à des longueurs d'ondes bien éloignées de la longueur d'onde de dispersion nulle.

Lorsque la longueur d'onde de dispersion nulle est spécifiée, il convient que les longueurs d'ondes de mesure encadrent la longueur d'onde de dispersion nulle ou qu'elles incluent des données à une longueur d'onde dans les limites de 100 nm. Lorsque la longueur d'onde et la pente de dispersion nulle sont utilisées uniquement pour le calcul des coefficients de

dispersion à des longueurs d'ondes bien éloignées de la longueur d'onde de dispersion nulle, les mesures doivent couvrir les longueurs d'ondes avec lesquelles le calcul est utilisé. Lorsque le coefficient de dispersion est spécifié, les mesures doivent couvrir les longueurs d'ondes pour lesquelles le coefficient de dispersion est spécifié. Voir l'Annexe D pour des informations sur les plages de longueurs d'ondes mesurées et la technique de modélisation appropriée.

Annexe B (normative)

Exigences spécifiques à la méthode B, temps de propagation de groupe spectral dans le domaine temporel

B.1 Appareillage

B.1.1 Source lumineuse

B.1.1.1 Laser à fibre Raman

Un système laser à fibre Raman, composé d'un laser Nd:YAG déclenché à verrouillage de mode synchrone, pompant une longueur adéquate (environ 200 m) de fibre unimodale, filtré spectralement par un dispositif tel qu'un monochromateur à diffraction, doit être capable de générer des impulsions optiques de courte durée (<400 ps de largeur d'impulsion à mi-hauteur (LMH)) et doit présenter une intensité et une stabilité spatiale et temporelle suffisantes pour effectuer les mesures décrites (voir Figure B.1).

B.1.1.2 Diodes laser multiples

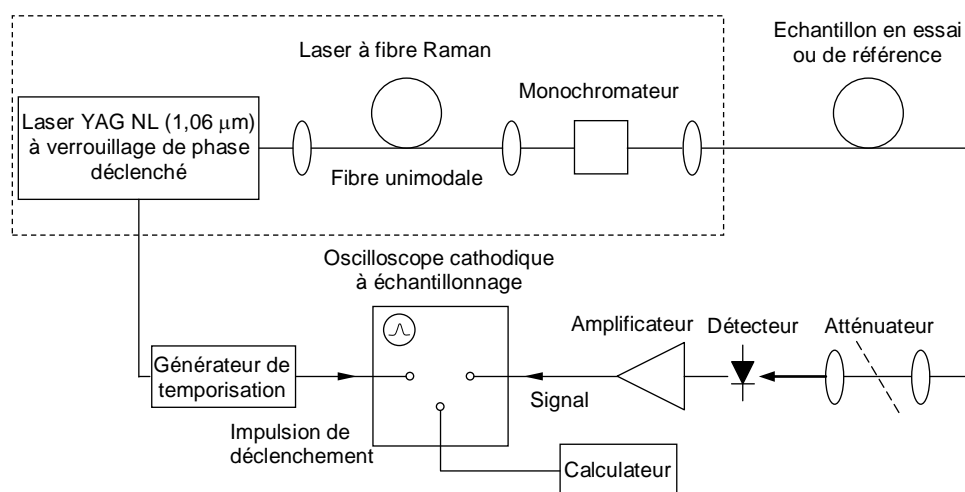
Des diodes laser à injections multiples (au moins trois), à plusieurs longueurs d'ondes, doivent être considérées comme suffisantes pour effectuer ces mesures si leurs impulsions sont de courte durée (inférieure à 400 ps LMH), sont stables en intensité et susceptibles d'être déclenchées de façon stable pendant toute la durée de la mesure (voir Figure B.2).

B.1.1.3 Diodes laser réglables en longueur d'onde

Une ou plusieurs diodes laser réglables en longueur d'onde (par exemple un laser à cavité externe) peuvent être utilisées si elles génèrent des impulsions de courte durée (inférieure à 400 ps LMH), si elles sont stables en intensité et susceptibles de maintenir une longueur d'onde stable et d'être déclenchées de façon stable pendant toute la durée de la mesure.

B.1.1.4 Largeur spectrale

La largeur spectrale de la source, telle que mesurée dans l'échantillon à l'essai, doit être inférieure ou égale à 10 nm en des points à 50 % de puissance (largeur d'impulsion à mi-hauteur (LMH)).



IEC 042/13

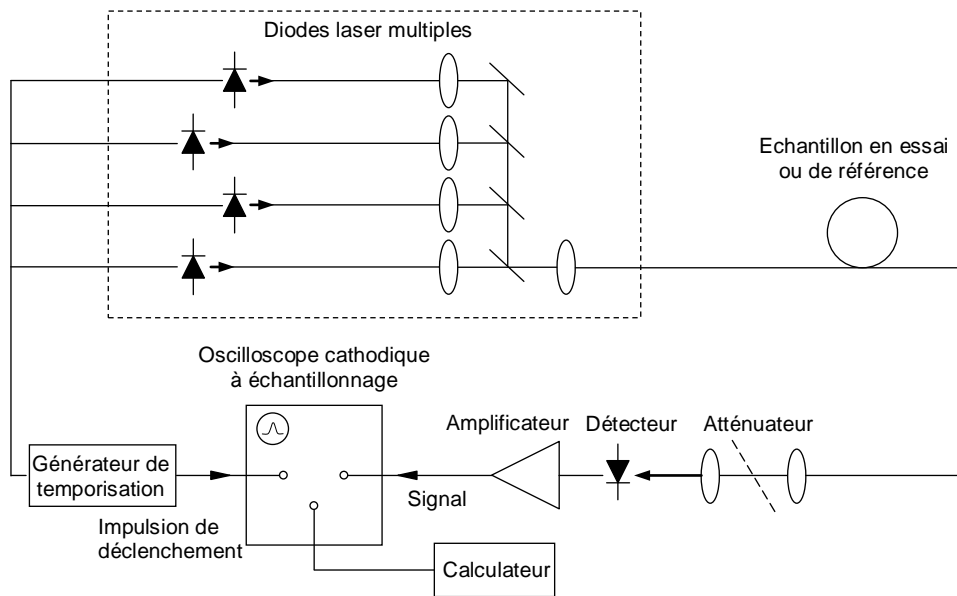
Figure B.1 – Schéma fonctionnel, système laser à fibre Raman

B.1.2 Détecteur de signaux

Utiliser un détecteur optique à grande vitesse, tel qu'une photodiode à avalanche au germanium, sensible sur toute la plage de longueurs d'ondes utilisée. Ce détecteur optique doit être linéaire dans des limites de 10 %, dans toute la plage d'intensités rencontrées. Noter que la principale contrainte concernant la linéarité réside dans le simple fait que la crête de l'impulsion n'est pas comprimée, pour que la position de la crête de l'impulsion ne varie pas dans le temps. Il est possible d'utiliser un amplificateur à large bande pour accroître la sensibilité du système de détection, à condition que la conformité aux spécifications relatives à la vitesse et à la linéarité soit toujours vérifiée. Il est possible d'utiliser un atténuateur optique pour maintenir l'amplitude du signal à une valeur constante.

B.1.3 Dispositif électronique de détection des signaux

Utiliser un dispositif de mesure et/ou d'affichage, comme un oscilloscope à échantillonnage à haute fréquence, capable d'afficher le temps relatif d'arrivée des impulsions optiques sur une échelle de temps étalonnée.



IEC 043/13

Figure B.2 – Schéma fonctionnel, système à diodes laser multiples

B.1.4 Dispositif de temporisation

Prévoir un dispositif, tel qu'un générateur numérique de temporisation, qui déclenche la source lumineuse, ou qui est déclenché par la source, et qui est capable de transmettre un signal de déclenchement retardé aux dispositifs électroniques de détection (oscilloscope à échantillonnage), pour compenser les différences de temps de propagation entre les échantillons à l'essai et de référence. Le dispositif doit assurer la stabilité des temps de propagation pendant toute la durée de la mesure, avec un scintillement et une dérive inférieurs à 50 ps efficaces.

B.2 Procédure

B.2.1 Mesures sur l'échantillonnage de référence

Insérer la fibre de référence dans l'appareillage de mesure, et régler la longueur d'onde de la source lumineuse à la première longueur d'onde prévue pour la mesure. Régler le générateur de temporisation de manière à obtenir un affichage de l'impulsion d'entrée sur une échelle de temps étalonnée connue de l'oscilloscope.

La position de l'impulsion est donnée par sa valeur crête ou par son centre. Enregistrer l'emplacement temporel de cette impulsion par rapport à une marque de référence (par exemple le réticule d'affichage) du balayage étalonné pour cette première longueur d'onde de référence.

Régler la source lumineuse à la longueur d'onde suivante et, sans faire varier le générateur de temporisation, enregistrer $\tau_{in}(\lambda_i)$, différence temporelle entre les positions de cette impulsion et de celle de la longueur d'onde de référence. Répéter cette procédure à toutes les longueurs d'ondes exigées, afin d'exprimer les résultats en termes de variation de la position de l'impulsion par rapport à la longueur d'onde de référence.

NOTE Par cette méthode, la précision du temps de propagation du dispositif de temporisation n'est pas importante. S'il n'est pas possible d'effectuer ces mesures par suite de différences de temps importantes entre les impulsions à différentes longueurs d'ondes, il est nécessaire d'utiliser un générateur de temporisation ou un instrument similaire dont la précision est connue, et d'enregistrer son temps de propagation et l'emplacement de l'impulsion sur l'oscilloscope à chaque longueur d'onde, afin d'obtenir le résultat voulu.

B.2.2 Mesures relatives à l'échantillon à l'essai

Insérer l'échantillon à l'essai dans l'appareillage de mesure, sélectionner la première longueur d'onde, et régler le générateur de temporisation de manière à obtenir un affichage de l'impulsion de sortie sur une échelle de temps connue et étalonnée de l'oscilloscope.

Enregistrer l'emplacement temporel de la position de cette impulsion.

Régler la source lumineuse sur la longueur d'onde suivante, et enregistrer la différence temporelle, $\tau_{out}(\lambda_i)$, entre la position de cette impulsion et celle de l'impulsion à la longueur d'onde de référence déterminée précédemment, sans réajuster le générateur de temporisation. Répéter cette procédure à toutes les longueurs d'ondes exigées, en exprimant les résultats en termes de décalage temporel de la position de l'impulsion de sortie par rapport à la position de l'impulsion à la longueur d'onde de référence. S'il n'est pas possible d'effectuer les mesures de cette manière, procéder conformément à la méthode décrite dans la note de B.2.1.

Soustraire le décalage temporel de l'impulsion d'entrée mesuré à chaque longueur d'onde, du décalage temporel de l'impulsion de sortie mesuré à la même longueur d'onde.

B.3 Calculs

B.3.1 Le temps de propagation de groupe, $\tau(\lambda_i)$, par unité de longueur, est le suivant:

$$\tau(\lambda_i) = \frac{[\tau_{out}(\lambda_i) - \tau_{in}(\lambda_i)]}{L} \quad (\text{B.1})$$

où

$\tau(\lambda_i)$ est le temps de propagation de groupe par unité de longueur;

$\tau_{in}(\lambda_i)$ est la valeur mesurée en B.2.1;

$\tau_{out}(\lambda_i)$ est la valeur mesurée en B.2.2;

L est la longueur de la fibre à l'essai moins la longueur de la fibre de référence (km).

B.3.2 A l'aide des données indiquées en B.3.1, calculer la meilleure adaptation par rapport à l'une des équations du temps de propagation indiquées à l'Article 8.

B.3.3 En utilisant les valeurs des coefficients appropriés les mieux adaptées indiqués à l'Article 8, calculer la dispersion, $D(\lambda)$, ou d'autres paramètres, selon les exigences de la

spécification particulière. Se reporter à la Figure A.2, qui illustre un exemple de données modélisées du temps de propagation, $\tau(\lambda)$, et de la dispersion calculée, $D(\lambda)$.

B.3.4 La dispersion peut être spécifiée par la longueur d'onde, λ_0 , et par la pente, S_0 , de dispersion nulle, et/ou en spécifiant le coefficient de dispersion chromatique à une ou plusieurs longueurs d'ondes. Dans certains cas, les paramètres de longueur d'onde et de pente de dispersion nulle ne sont utilisés que pour calculer le coefficient de dispersion à des longueurs d'ondes bien éloignées de la longueur d'onde de dispersion nulle.

Lorsque la longueur d'onde de dispersion nulle est spécifiée, il convient que les longueurs d'ondes de mesure encadrent la longueur d'onde de dispersion nulle ou qu'elles incluent des données à une longueur d'onde dans les limites de 100 nm. Lorsque la longueur d'onde et la pente de dispersion nulle sont utilisées uniquement pour le calcul des coefficients de dispersion à des longueurs d'ondes bien éloignées de la longueur d'onde de dispersion nulle, les mesures doivent couvrir les longueurs d'ondes avec lesquelles le calcul est utilisé. Lorsque le coefficient de dispersion est spécifié, les mesures doivent couvrir les longueurs d'ondes pour lesquelles le coefficient de dispersion est spécifié. Voir l'Annexe D pour des informations sur les plages de longueurs d'ondes mesurées et la technique de modélisation appropriée.

Annexe C (normative)

Exigences spécifiques à la méthode C, déphasage différentiel

C.1 Appareillage

C.1.1 Source lumineuse

C.1.1.1 Diodes laser multiples

Si des diodes laser sont utilisées, deux longueurs d'ondes de rayonnement laser sont exigées pour chaque mesure de la dispersion chromatique (voir Figure C.1). La longueur d'onde centrale et la phase de sortie modulée de chaque source doivent être stables pendant toute la durée de la mesure au courant de polarisation, la fréquence de modulation et la température des diodes rencontrées.

Il est possible d'utiliser une diode laser à mode longitudinal unique ou multiple, à température contrôlée, avec stabilisation de puissance de sortie (par exemple en captant un signal en retour à l'aide d'un détecteur optique). Un laser supplémentaire peut être exigé pour la liaison de référence des équipements de mesure sur site (voir C.1.4).

C.1.1.2 Diodes électroluminescentes filtrées

Utiliser une ou plusieurs diodes électroluminescentes (voir Figure C.2). Leur spectre doit être filtré, généralement par un monochromateur, pour donner une largeur spectrale, telle que mesurée dans l'échantillon à l'essai, qui doit être inférieure ou égale à 10 nm en des points à 50 % de puissance (largeur d'impulsion à mi-hauteur (LMH)).

C.1.2 Modulateur

Le modulateur doit moduler les sources de lumière en amplitude, afin de générer une forme d'onde à composante de Fourier dominante unique. Par exemple, une modulation de signal sinusoïdal, trapézoïdal ou carré doit être acceptable. Normalement, une stabilité de fréquence de 1×10^{-6} est suffisante.

Il est indispensable d'éviter les ambiguïtés de $360(n)$ degrés (où n est un nombre entier), lors de la mesure du déphasage différentiel. Cela peut être réalisé par exemple en réduisant la fréquence du modulateur pour des longueurs d'échantillons plus importantes et/ou des grands coefficients de dispersions. Par exemple, il est possible de choisir une fréquence de modulation suffisamment basse pour limiter les déphasages différentiels à des valeurs inférieures à 360° à chaque paire de longueurs d'ondes, la fréquence maximale pouvant être déterminée pour les fibres de catégorie B1, comme suit:

$$f_{\max} = \frac{4 \times 10^{12} \times \lambda_i^3 \times (\lambda_i^4 - \lambda_0^4)^{-1}}{S_0 \times L \times \Delta\lambda} \text{ Hz} \quad (\text{C.1})$$

où

f_{\max} est la fréquence maximale;

λ_i est la longueur d'onde de la source, en nm, qui minimise la valeur de f_{\max} ;

λ_0 est la longueur d'onde de dispersion nulle typique attendue, en nm;

S_0 est la pente de dispersion typique attendue, exprimée, en ps/(nm² × km) à λ_0 ;

L est la longueur de l'échantillon à l'essai, en km;

$\Delta\lambda$ est l'espacement des longueurs d'ondes entre les points de mesure des phases différentielles, en nm.

La fréquence du modulateur doit être suffisamment élevée pour assurer une précision de mesure convenable.

L'espacement des longueurs d'ondes, $\Delta\lambda$, entre les points de mesure des phases différentielles se trouve, généralement, dans la plage comprise entre 2 nm et 20 nm.

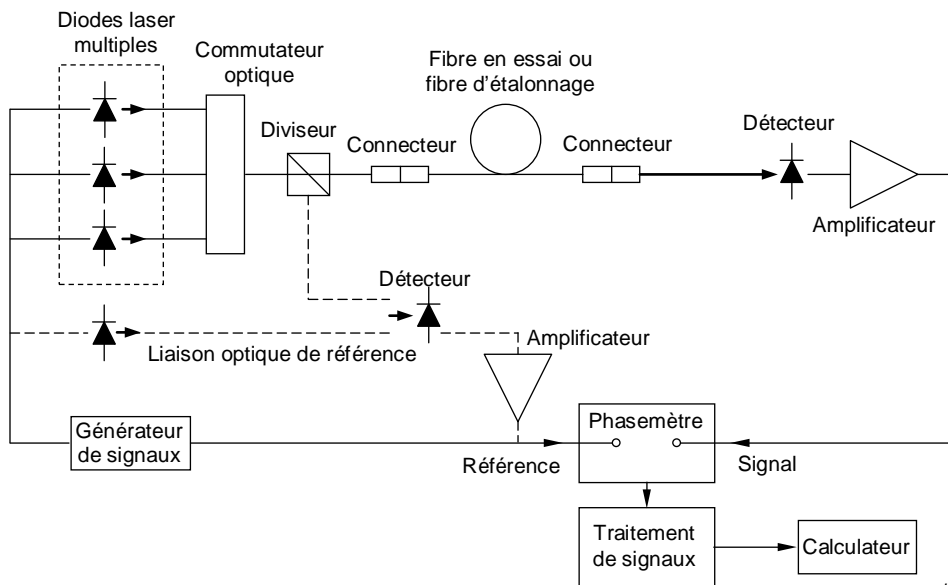
C.1.3 Détecteur de signaux et dispositif électronique de détection des signaux

Utiliser un détecteur optique sensible sur toute la plage de longueurs d'ondes à mesurer avec un phasemètre. Il est possible d'utiliser un amplificateur pour accroître la sensibilité du système de détection. Un système typique pourrait comporter une photodiode PIN, un amplificateur à transistor à effet de champ et un détecteur sensible aux phases.

Le détecteur, l'amplificateur et le phasemètre ne doivent répondre qu'à la composante fondamentale de Fourier du signal modulant et ils doivent introduire un déphasage du signal constant sur la plage des puissances optiques reçues.

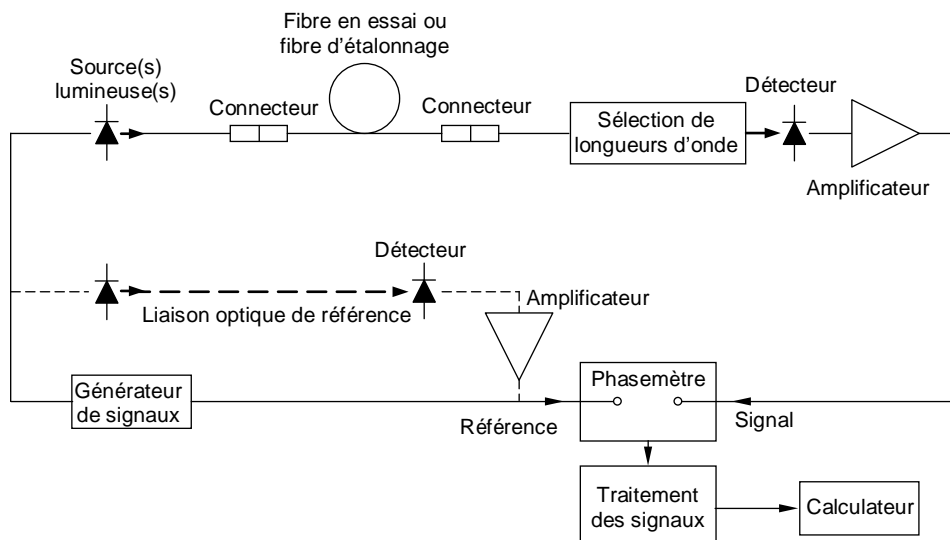
L'unité de traitement des signaux enregistrera le signal différentiel à la sortie du phasemètre, généré par la paire de longueurs d'ondes d'essai; en outre, l'unité de traitement des signaux transmettra un signal de sortie représentant la phase différentielle entre les deux longueurs d'ondes au calculateur/système d'acquisition des données. La sélection de la longueur d'onde et la mesure de la phase relative, aux deux longueurs d'ondes, doivent être suffisamment rapides pour que le résultat ne soit pas faussé par une dérive de la longueur de l'échantillon à l'essai. L'unité de traitement des signaux peut être réalisée de plusieurs manières, dont trois exemples représentatifs sont donnés ci-après.

Dans le premier exemple, illustré par les Figures C.1 et C.2, l'unité de traitement des signaux enregistre une phase à une longueur d'onde d'essai donnée et enregistre ensuite une phase à une autre longueur d'onde. La dispersion chromatique à la longueur d'onde moyenne est déterminée à partir de la phase différentielle et de la longueur de la fibre. L'unité intitulée «traitement des signaux» dans la Figure C.2 peut être incluse dans le bloc calculateur. Le deuxième exemple est illustré par la Figure C.3. Le signal de référence du phasemètre est lui-même l'une des deux longueurs d'ondes d'essai qui parcourent la fibre.



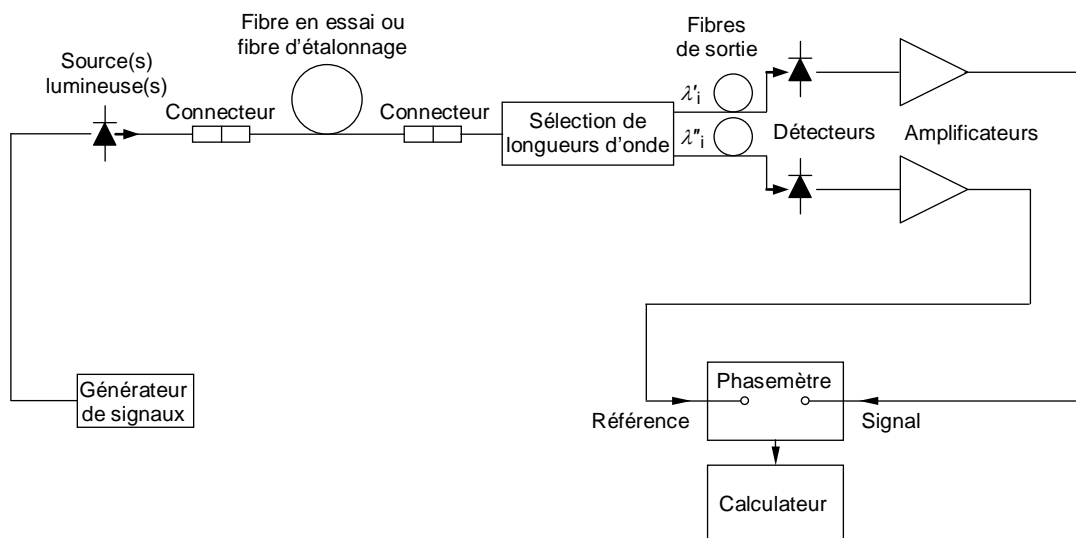
IEC 044/13

Figure C.1 – Montage de mesure de dispersion chromatique de phase différentielle, système à lasers multiples



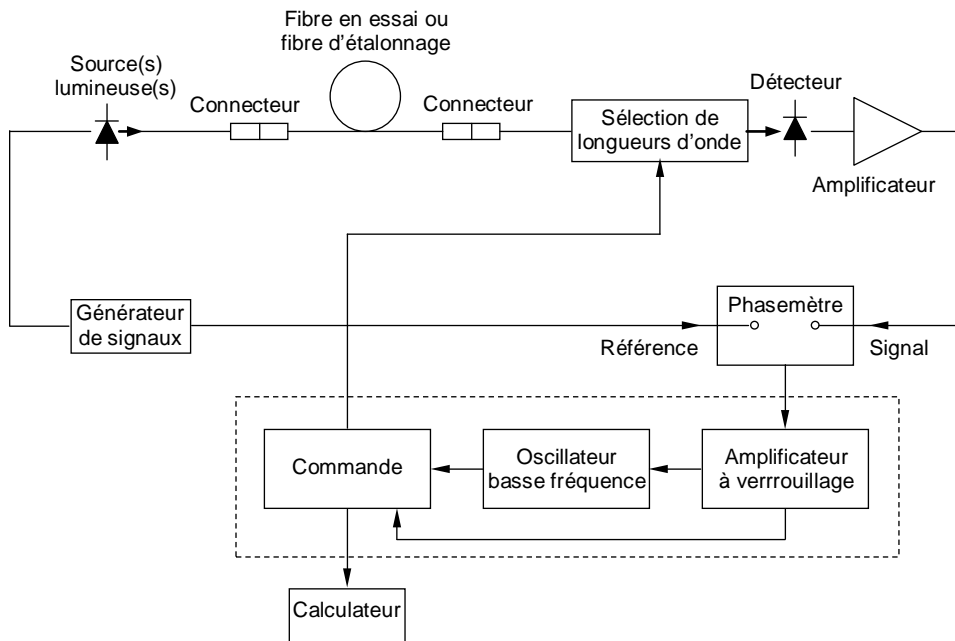
IEC 045/13

Figure C.2 – Montage de mesure de dispersion chromatique de phase différentielle, système à diodes électroluminescentes



IEC 046/13

Figure C.3 – Montage de mesure de dispersion chromatique, phase différentielle par la méthode à double longueur d'onde



IEC 047/13

Figure C.4 – Montage de mesure de dispersion chromatique, phase différentielle par double démodulation

Le troisième exemple est illustré par la Figure C.4. La lumière est alternée entre deux longueurs d'ondes à une fréquence de plusieurs centaines de hertz, permettant ainsi la détection d'une phase différentielle à la sortie du phasemètre. Le phasemètre génère un signal alternatif synchrone avec la modulation de la longueur d'onde, et dont l'amplitude est proportionnelle à la phase différentielle entre les deux longueurs d'ondes d'essai. Ce signal est ensuite démodulé par un amplificateur à verrouillage pour générer un signal en courant continu représentant la phase différentielle. Déterminer la dispersion chromatique à la longueur d'onde moyenne à partir de la phase différentielle et de la longueur de la fibre.

Il est possible de prévoir un dispositif optique, tel qu'un atténuateur optique variable, pour réguler la puissance optique reçue.

C.1.4 Signal de référence

Transmettre au phasemètre un signal de référence, dont la composante de Fourier fondamentale est identique à celle du signal de modulation, et qui servira à mesurer les phases différentielles des sources de signaux. Le signal de référence doit être synchronisé par rapport au signal de modulation et est généralement déduit à partir du signal de modulation.

Exemples de signaux de référence (voir Figure C.1):

- Lorsque les sources de signaux et le détecteur sont voisins, comme c'est le cas lors d'une mesure en laboratoire ou lors d'un étalonnage, il est possible d'utiliser une connexion électrique entre le générateur de signaux et la borne de référence du phasemètre.
- Pour ce qui concerne les équipements voisins, il est également possible d'utiliser un dérivateur optique, installé avant l'échantillon à l'essai, et un détecteur.
- Pour ce qui concerne les essais sur site, relatifs aux câbles optiques (sources et détecteur non voisins), il est possible d'utiliser une liaison optique, comprenant, de façon typique, une source lumineuse modulée, une fibre et un détecteur similaires à ceux utilisés pour l'échantillon à l'essai.

C.2 Procédure

C.2.1 Mesures relatives à l'échantillon à l'essai

Insérer l'échantillon à l'essai dans l'appareillage de mesure et établir un signal de référence. Mesurer et enregistrer la phase différentielle, $\Delta\phi(\lambda_i)$, des paires de longueurs d'ondes adjacentes, λ_i' et λ_i'' , avec la longueur d'onde moyenne, λ_i .

C.2.2 Etalonnage

Insérer la fibre de référence dans l'appareillage de mesure et établir un signal de référence.

Mesurer et enregistrer la phase différentielle, $\Delta\phi'(\lambda_i)$, des paires de longueurs d'ondes adjacentes, λ_i' , λ_i'' , avec la longueur d'onde moyenne, λ_i .

NOTE Effectuer toutes les mesures concernant l'échantillon à l'essai et l'étalonnage avec le niveau de puissance optique à l'entrée du détecteur ajusté à une plage de valeurs qui minimise les déphasages en fonction des niveaux dans le détecteur et dans les dispositifs électroniques.

C.3 Calculs

Pour ce qui concerne le calcul de la dispersion, soustraire la phase différentielle de la fibre d'étalonnage à chaque paire de longueurs d'ondes de la phase différentielle correspondante de l'échantillon à l'essai.

- a) Le coefficient de dispersion chromatique, $D(\lambda_i)$, à chaque longueur d'onde, λ_i , est donné par la relation suivante:

$$D(\lambda_i) = \frac{\Delta\phi(\lambda_i) - \Delta\phi'(\lambda_i)}{360 \times f \times L \times \Delta\lambda} \times 10^{12} \text{ ps}/(\text{nm} \times \text{km}) \quad (\text{C.2})$$

où

$D(\lambda_i)$ est le coefficient de dispersion chromatique;

λ_i est la valeur moyenne des deux longueurs d'ondes λ_i' et λ_i'' , (nm);

$\Delta\phi(\lambda_i)$ a été mesurée en C.2.1 (degrés);

$\Delta\phi'(\lambda_i)$ a été mesurée en C.2.2 (degrés);

f est la fréquence de l'onde de modulation (Hz);

L est la longueur de l'échantillon à l'essai moins la longueur de l'échantillon d'étalonnage (km);

$\Delta\lambda = \lambda_i' - \lambda_i''$ (nm).

- b) Le coefficient de dispersion chromatique lui-même peut servir à caractériser la fibre à l'essai. Aucun traitement de données ni aucun calcul supplémentaires ne sont requis pour la mesure du ou des coefficients de dispersion à la ou aux longueurs d'ondes de mesure utilisées.
- c) La dispersion peut être spécifiée par la longueur d'onde, λ_0 , et par la pente, S_0 , de dispersion nulle, et/ou en spécifiant le coefficient de dispersion chromatique à une ou plusieurs longueurs d'ondes. Dans certains cas, les paramètres de longueur d'onde et de pente de dispersion nulle ne sont utilisés que pour calculer le coefficient de dispersion à des longueurs d'ondes bien éloignées de la longueur d'onde de dispersion nulle.

Lorsque la longueur d'onde de dispersion nulle est spécifiée, il convient que les longueurs d'ondes de mesure encadrent la longueur d'onde de dispersion nulle ou qu'elles incluent des données à une longueur d'onde dans les limites de 100 nm. Lorsque la longueur d'onde et la pente de dispersion nulle sont utilisées uniquement pour le calcul des coefficients de dispersion à des longueurs d'ondes bien éloignées de la longueur d'onde de dispersion nulle, les mesures doivent couvrir les longueurs d'ondes avec lesquelles le calcul est utilisé.

Lorsque le coefficient de dispersion est spécifié, les mesures doivent couvrir les longueurs d'ondes pour lesquelles le coefficient de dispersion est spécifié. Voir l'Annexe D pour des informations sur les plages de longueurs d'ondes mesurées et la technique de modélisation appropriée.

Annexe D (normative)

Modélisation de la dispersion chromatique

D.1 Généralités

Le résultat de la mesure de la dispersion chromatique est soit des valeurs de dispersion chromatique mesurées directement soit des valeurs de temps de propagation de groupe en fonction de la longueur d'onde. La valeur de dispersion chromatique et la pente de dispersion sont déduites des dérivées de ces données. La différenciation est plus souvent réalisée après représentation des données par rapport à un modèle mathématique ou à un type de modélisation.

La présente annexe donne une description générale de la modélisation de la dispersion chromatique et présente un certain nombre d'équations de modélisation normalisées.

NOTE Même si les caractéristiques de la pente de dispersion peuvent ne pas être des exigences normatives, des valeurs types sont souvent fournies par les fabricants pour faciliter l'accommodation de dispersion.

D.2 Définition des équations et des coefficients de modélisation

Le Tableau D.1 contient une description générale des modèles mathématiques qui sont modélisés. La formulation polynomiale est générale et peut être étendue à des polynômes d'ordre plus élevé par les mêmes principes, pourvu que la modélisation reste cohérente (voir ci-dessous).

Le Tableau D.2 présente les équations correspondantes pour la pente de dispersion.

Le Tableau D.3 présente les formules pour la longueur d'onde de dispersion nulle et la pente à cette longueur d'onde (pente de dispersion nulle) pour les modèles de Sellmeier à trois termes et les modèles polynomiaux de deuxième ordre.

Tableau D.1 – Définition des types de modélisation et des coefficients de modélisation; équations de calcul du temps de propagation de groupe et du coefficient de dispersion

Type de modélisation	Temps de propagation de groupe – $\tau(\lambda)$	Coefficient de dispersion – $D(\lambda)$
De Sellmeier à 3 termes	$A + B \times \lambda^2 + C \times \lambda^{-2}$	$2 \times B \times \lambda - 2 \times C \times \lambda^{-3}$
De Sellmeier à 5 termes	$A + B \times \lambda^2 + C \times \lambda^{-2} + D \times \lambda^4 + E \times \lambda^{-4}$	$2 \times B \times \lambda - 2 \times C \times \lambda^{-3} + 4 \times D \times \lambda^3 - 4 \times E \times \lambda^{-5}$
Polynomiale de 2 ^{ème} ordre (quadratique)	$A + B \times \lambda + C \times \lambda^2$	$B + 2 \times C \times \lambda$
Polynomiale de 3 ^{ème} ordre (cubique)	$A + B \times \lambda + C \times \lambda^2 + D \times \lambda^3$	$B + 2 \times C \times \lambda + 3 \times D \times \lambda^2$
Polynomiale de 4 ^{ème} ordre	$A + B \times \lambda + C \times \lambda^2 + D \times \lambda^3 + E \times \lambda^4$	$B + 2 \times C \times \lambda + 3 \times D \times \lambda^2 + 4 \times E \times \lambda^3$

Tableau D.2 – Equations de pente

Type de modélisation	Pente de dispersion – $S(\lambda)$
De Sellmeier à 3 termes	$2 \times B + 6 \times C \times \lambda^{-4}$
De Sellmeier à 5 termes	$2 \times B + 6 \times C \times \lambda^{-4} + 12 \times D \times \lambda^2 + 20 \times E \times \lambda^{-6}$
Polynomiale de 2 ^{ème} ordre (quadratique)	$2 \times C$
Polynomiale de 3 ^{ème} ordre (cubique)	$2 \times C + 6 \times D \times \lambda$
Polynomiale de 4 ^{ème} ordre	$2 \times C + 6 \times D \times \lambda + 12 \times E \times \lambda^2$

Tableau D.3 – Longueur d’onde de dispersion nulle et équations de pente

Type de modélisation	Longueur d’onde de dispersion nulle – λ_0	Pente de dispersion nulle – S_0
De Sellmeier à 3 termes	$(C/B)^{1/4}$	8B
Polynomiale de 2 ^{ème} ordre (quadratique)	$-B/(2C)$	2C

NOTE 1 Pour le type de modélisation de Sellmeier à trois termes, une forme alternative pour le coefficient de dispersion chromatique est la suivante:

$$D(\lambda) = \frac{S_0}{4} \times \lambda \times \left(1 - \frac{\lambda_0^4}{\lambda^4} \right) \tag{D.1}$$

NOTE 2 Pour le type de modélisation polynomiale de 2^{ème} ordre (quadratique), une forme alternative pour le coefficient de dispersion chromatique est la suivante:

$$D(\lambda) = S_0 \times (\lambda - \lambda_0) \tag{D.2}$$

D.3 Procédure de modélisation

Pour une modélisation numérique fiable, il convient de convertir les abscisses naturelles (longueurs d’ondes) en valeurs avec une plage réduite par une modification des coordonnées avant d’effectuer la régression suivant la règle des moindres carrés. Après la régression, il faut que les paramètres de modélisation soient reconvertis à l’échelle de longueur d’onde d’origine avant d’effectuer les dérivées.

Il convient de choisir une technique adaptée de la régression suivant la règle des moindres carrés afin de résoudre le problème de la modélisation. Il convient que la méthode soit stable par rapport au bruit et autres erreurs introduites au cours de la mesure du temps de propagation de groupe ou des données de dispersion [1²]. En fonction de la source des données d’entrée, les équations pour le temps de propagation de groupe ou la dispersion dérivée sont utilisées.

Il convient de veiller à inclure un nombre suffisant de points dans la modélisation. Lorsque l’ordre de modélisation et le nombre de points deviennent comparables, la modélisation ne donnera pas de résultats précis.

Si la modélisation est réalisée par rapport aux données de temps de propagation de groupe, les données de dispersion chromatique peuvent être calculées à partir des équations de dispersion du Tableau D.1, à l’aide des coefficients déduits de la modélisation. Il convient d’utiliser avec soin l’extrapolation aux longueurs d’ondes à l’extérieur de la région de

² Numbers in square brackets refer to the Bibliography.

modélisation, dans la mesure où les modélisations peuvent avoir un comportement non physique au niveau des points situés à l'extérieur de cette région.

La pente de dispersion peut être calculée à partir des équations du Tableau D.2, à l'aide des coefficients déduits de la modélisation.

Bibliographie

- [1] PRESS, William H., TEUKOLSKY, Saul A., VETTERLING, William T., FLANNERY, Brian P., *Numerical Recipes – The Art of Scientific Computing*, Cambridge University Press, 2nd edition (1993).
-

INTERNATIONAL
ELECTROTECHNICAL
COMMISSION

3, rue de Varembé
PO Box 131
CH-1211 Geneva 20
Switzerland

Tel: + 41 22 919 02 11
Fax: + 41 22 919 03 00
info@iec.ch
www.iec.ch